

ZD421

Thermal Transfer Desktop Printer



Quick Start Guide

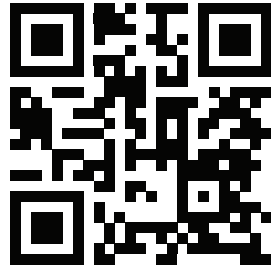


Zebra Technologies | 3 Overlook Point | Lincolnshire, IL 60069 USA
zebra.com ZEBRA and the stylized Zebra head are trademarks of Zebra Technologies Corp., registered in many jurisdictions worldwide. All other trademarks are the property of their respective owners. © 2023 Zebra Technologies Corp. and/or its affiliates. All rights reserved.

1 Setup

IMPORTANT

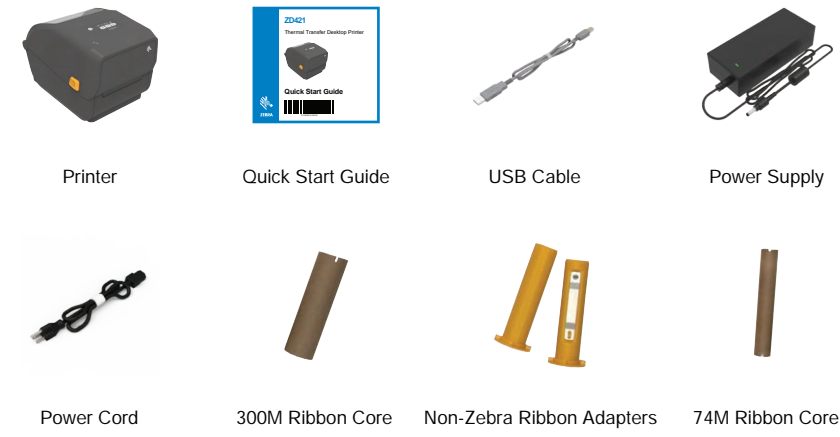
Go to zebra.com/zd421t-info and install the driver for your printer.



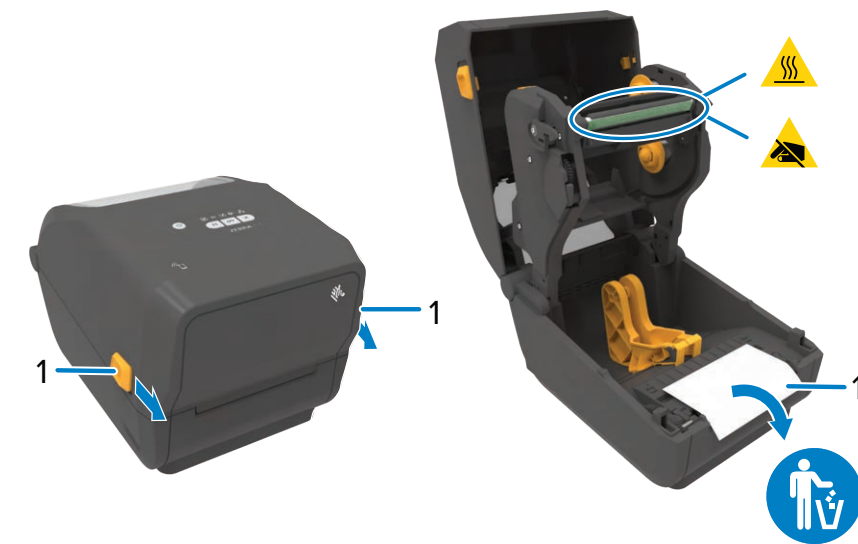
The driver **MUST** be installed before connecting the printer to the computer, or it will cause complications. If your Microsoft Windows-based computer does not have the driver installed for this printer, download it from zebra.com/zd421t-info and install it before continuing.

2 Remove Packing

After unpacking, make sure you have all items shown below.



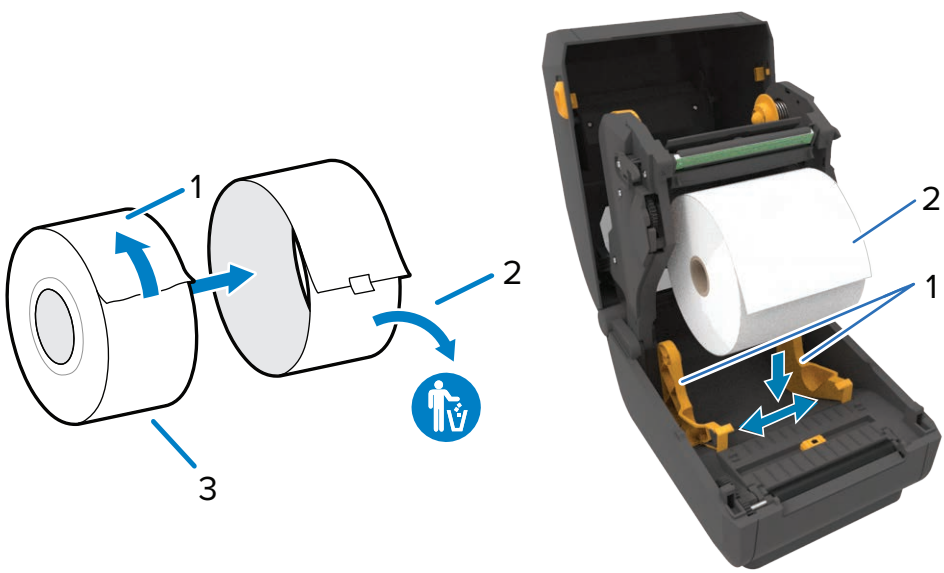
! Labels and ribbons are not included.



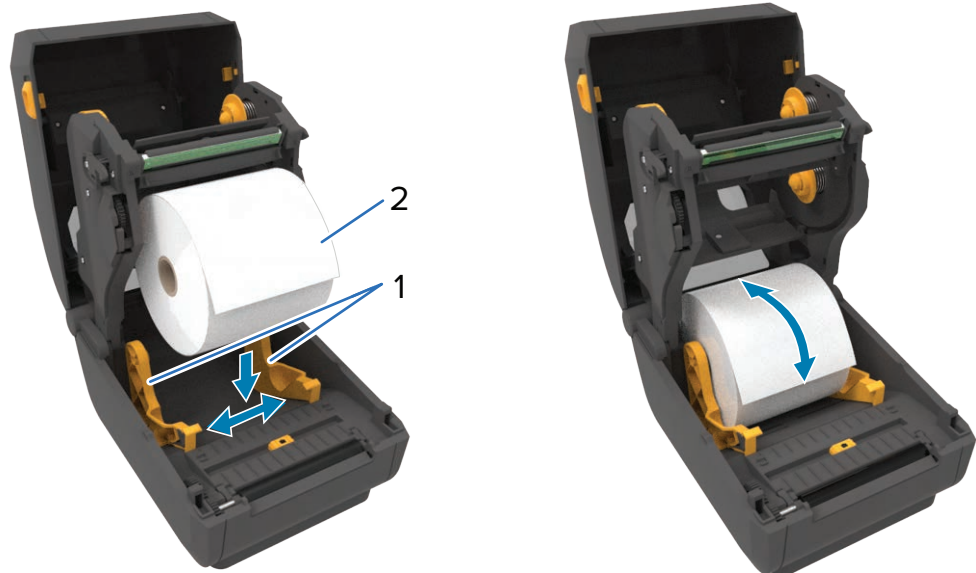
Slide the release latches (1) to the front to unlock the cover.

Open the printer and remove the packing (1).

3 Load Media



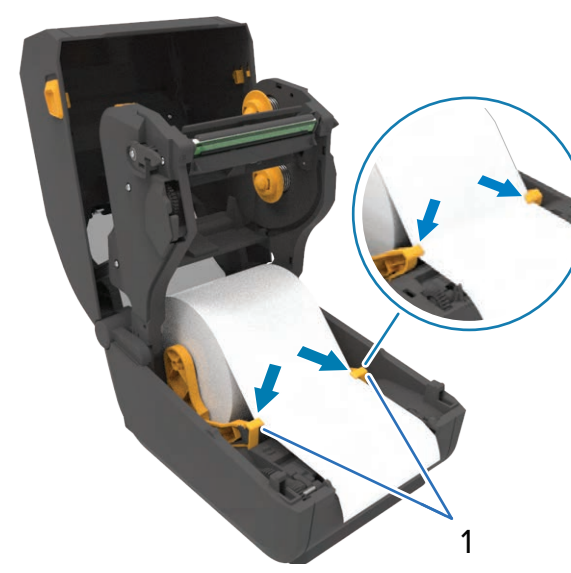
Unroll (1) and discard (2) the outer layer of the media roll (3).



Spread the roll holders open (1) and place the roll (2) into the printer.

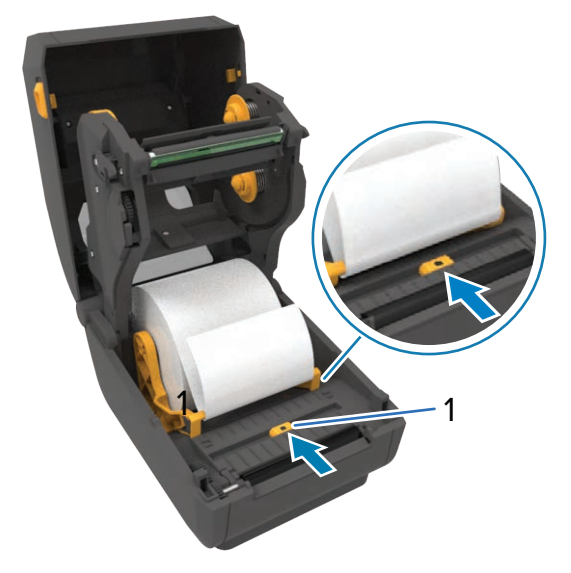


Verify the roll spins easily on the holder.



Pull the end of the roll past the front edge of the printer.

Press the media under the guides (1).



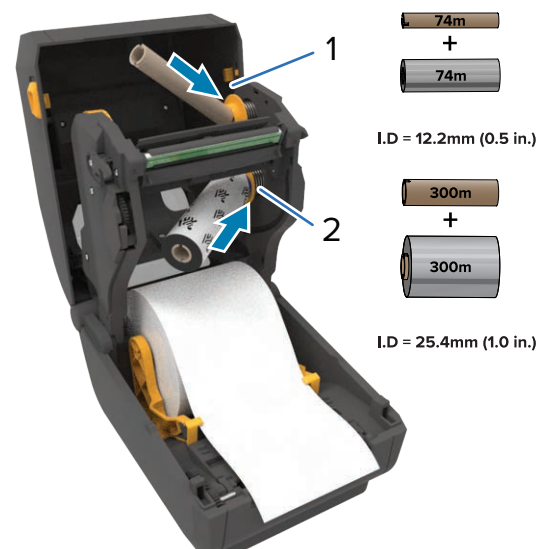
Align the sensor to the center of the roll for regular labels (1).

5 Adjust Sensor (continued)

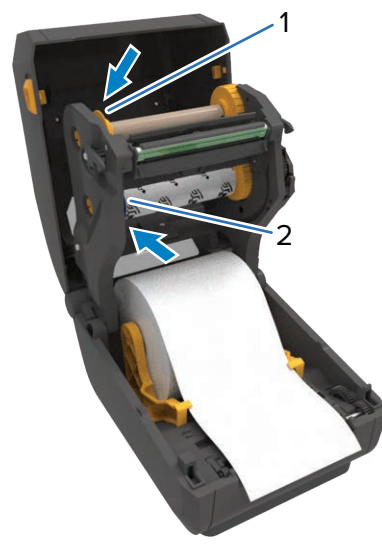


Align the sensor to the edge of the roll for marked labels (1).

6 Load Ribbon



Push the empty ribbon core (1) and the ribbon roll (2) onto the right spindles. Always use an empty ribbon core that matches your transfer ribbon roll's inner diameter (I.D.).



Align the left sides of the empty ribbon core (1) and the ribbon roll (2) to the left-side spindle hubs. Then rotate to lock.



Pull the supply ribbon leader (1) up and over the printhead and attach it to the take-up spool.



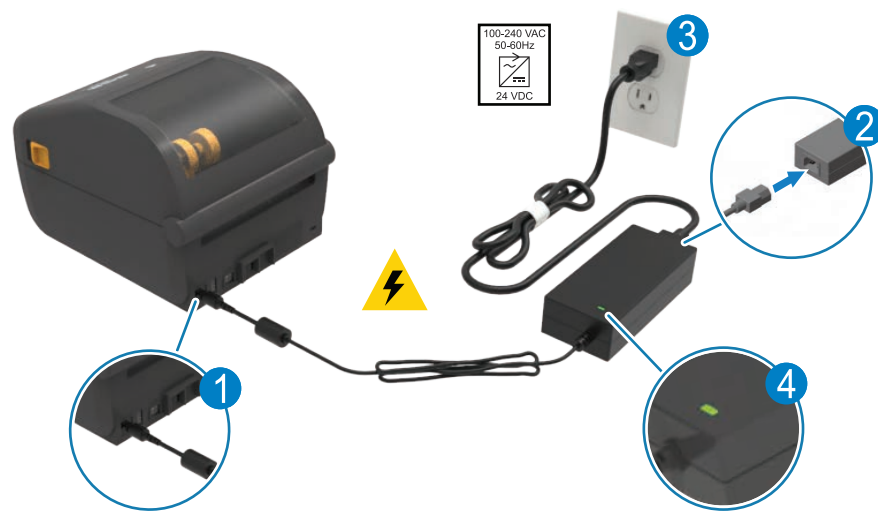
Turn the ribbon take-up wheel (1) to remove the slack and advance the ribbon.

7 Close Printer



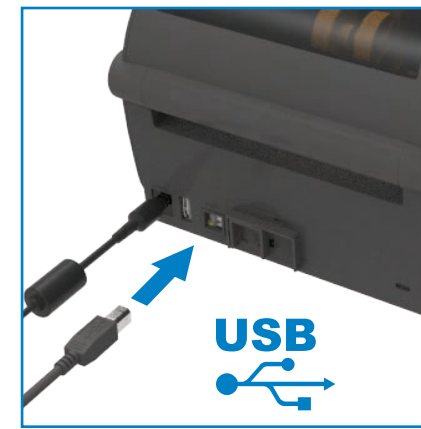
Push down on the front edge of the printer until it locks.

8 Connect Power



1. Plug the power supply into the printer.
2. Plug the power cable into the power supply.
3. Plug the power cord into an appropriate receptacle.
4. Verify that the power supply lights green.

9 Connect USB



1. Connect a USB cable to the printer.
2. Connect the other end to your computer.

10 Power On

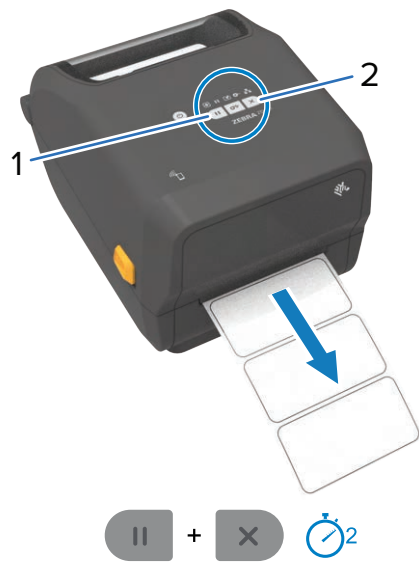


Press **POWER** (1).



When the printer is ready, the printer status light turns green (1).

11 Smart Calibration



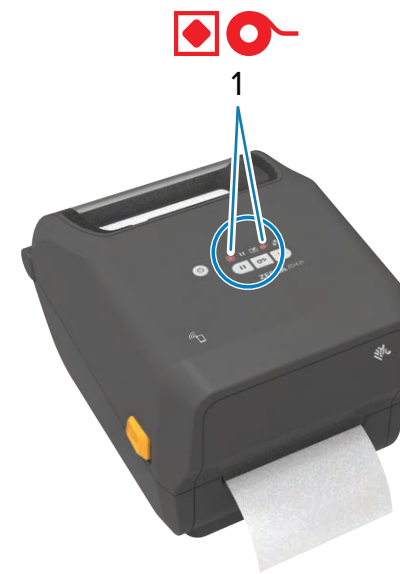
Press and hold **PAUSE** (1) + **CANCEL** (2) for two seconds to line up the labels.

12 Print Configuration



Press and hold **FEED** (1) + **CANCEL** (2) for two seconds to print a configuration report.

Media Out



When the media runs out, the printer status and media status lights turn red (1).



Open the printer and discard the empty roll (1).

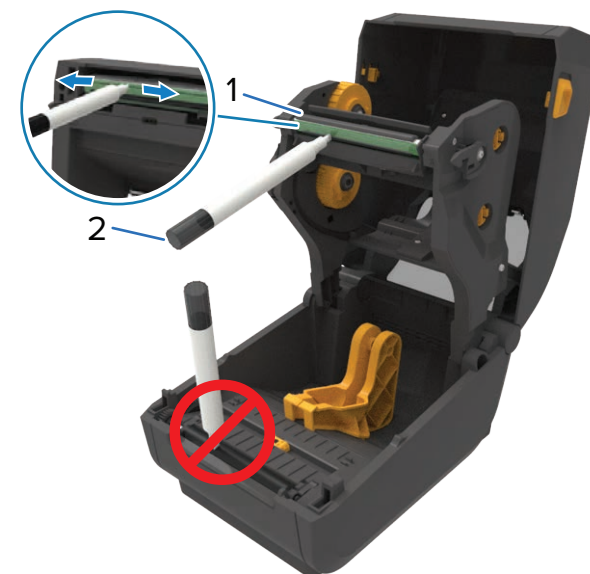
Support and Information

	View user documentation. zebra.com/zd421-info		View Quick Answers and Knowledge Base. zebra.com/knowledge
	Need to design a label? zebra.com/zebradesigner		Join Community Connection of Zebra users and ambassadors. zebra.com/supportcommunity
	Learn about genuine Zebra supplies. zebra.com/supplies		Contact Zebra about your printer. zebra.com/contactsupport
	Need to manage your printer? zebra.com/profilemanager		Need to secure your printer? zebra.com/printsecure



Learn about product patent information.
ip.zebra.com

Cleaning



Clean the printhead (1) with a cleaning pen (2). Clean from the middle to the outside. Do not use a cleaning pen on the platen.

Ribbon Out



When the ribbon runs out, the printer status and ribbon status lights turn red (1).



Open the printer and discard the empty starter ribbon take-up core (1). Save the empty ribbon supply core (2) and use it as the take-up core when loading new ribbon.