

TOSHIBA

Barcode Printer

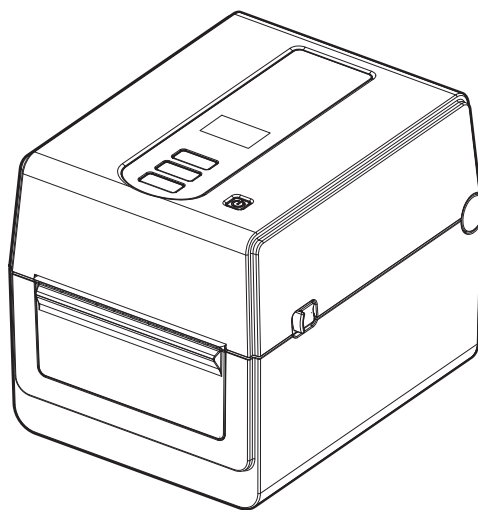
Owner's Manual

BV410D-GS02-QM-S

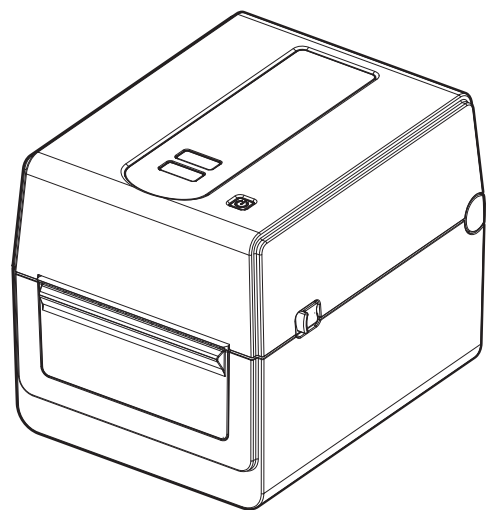
BV410D-TS02-QM-S

BV420D-GS02-QM-S

BV420D-TS02-QM-S



BV410D



BV420D

Notes to Users

CE Compliance

This product is labelled with the CE mark in accordance with the provisions of the applicable European Directives for this product and the electric accessories.

CE marking is the responsibility of Toshiba Tec Germany Imaging Systems GmbH, Carl-Schurz-Str. 7, 41460 Neuss, Germany, phone +49-(0)-2131-1245-0.

For a copy of the related CE Declaration of Conformity, please contact your dealer, Toshiba Tec Germany Imaging Systems GmbH or Toshiba Tec Corporation.

(for EU only)

UKCA Compliance

This product is labelled with the UKCA mark in accordance with the provisions of the applicable UK legislations for this product and the electric accessories.

UKCA marking is the responsibility of Toshiba Tec U.K. Imaging Systems Ltd, Abbey Cloisters, Abbey Green, Chertsey, Surrey, KT16 8RB, phone +44-(0)-843 2244944.

For a copy of the related UKCA Declaration of Conformity, please contact your dealer, Toshiba Tec U.K. Imaging Systems Ltd or Toshiba Tec Corporation.

(for UK only)

⚠ WARNING:

This is a Class A product. In a domestic environment, this product may cause radio interference in which case the user may be required to take adequate measures.

FCC Class A Notice

This device complies with Part 15 of the FCC Rules. Operation is subject to the following two conditions:

1. This device may not cause harmful interference.
2. This device must accept any interference received, including interference that may cause undesired operation.

Note: This equipment has been tested and found to comply with the limits for a Class A digital device, pursuant to Part 15 of the FCC Rules. These limits are designed to provide reasonable protection against harmful interference when the equipment is operated in a commercial environment. This equipment generates, uses, and can radiate radio frequency energy, and if it is not installed and used in accordance with the instruction manual, it may cause harmful interference to radio communications. Operation of this equipment in a residential area is likely to cause harmful interference, in which case the user will be required to correct the interference at his own expense.

WARNING

Changes or modifications not expressly approved by the party responsible for compliance could void the user's authority to operate the equipment.

(for USA only)

ICES-003 Class A Notice - Avis NMB-003, Classe A

This Class A digital apparatus complies with Canadian ICES-003.

Cet appareil numérique de la classe A est conforme à la norme NMB-003 du Canada.

(for CANADA only)



California Proposition 65:USA-California only

⚠ WARNING:

This product can expose you to chemicals including 1,3-Dichloro-2-propanol, which is/are known to the State of California to cause cancer.

For more information go to www.P65Warnings.ca.gov.

The device is not intended for use in the direct field of view at visual display workplaces.
To avoid incommoding reflections at visual display workplaces this device must not be placed in the direct field of view.

한국 전원 코드

KS C 8305 표준과 호환 되는 전원 코드를 사용 해 주세요.

정격(최소): 250V

유형: KS C 8305 인증된, 경부하 또는 일반 의무 유형

도체 굵기(최소): 3 x 0.75 mm²

Waste Recycling information for users:



This product is marked according to the requirement on Waste electrical and electronic equipment - WEEE.

The use of the symbol indicates that this product may not be disposed as unsorted municipal waste and has to be collected separately. By ensuring this product is disposed of correctly, you will help prevent potential negative consequences for the environment and human health, which could otherwise be caused by inappropriate waste handling of this product.

For more detailed information about the take-back and recycling of this product please contact your supplier where you purchased the product.

Notification (for Turkey)

AEEE Yönetmeliğine Uygundur

Following information is only for India:



The use of the symbol indicates that this product may not be treated as household waste. By ensuring this product is disposed of correctly, you will help prevent potential negative consequences for the environment and human health, which could otherwise be caused by inappropriate waste handling of this product.

For more detailed information about the take-back and recycling of this product, please contact your supplier where you purchased the product.

This product including components, consumables, parts and spares complies with the "India E-Waste Rules" and prohibits use of lead, mercury, hexavalent chromium, polybrominated biphenyls or polybrominated diphenyl ethers in concentrations exceeding 0.1% by weight and 0.01% by weight for cadmium, except for the exemption set in the Rule.

La siguiente información es solo para Argentina:



El uso de este símbolo indica que este producto no puede ser tratado como residuos domésticos.

Asegúrese que este producto se deseché correctamente, Usted ayudara a evitar posibles consecuencias negativas para el medio ambiente y la salud humana, que podrían derivarse de la incorrecta manipulación de este producto.

Para mas información sobre el reciclaje de este producto, consulte con nuestro su distribuidor donde adquirió el producto.

Following information is only for Vietnam:

Declaration of conformity.

Toshiba Tec Group Products sold in Vietnam market complies with Circular 16/VBHN-BCT dated April 25, 2014 of the Ministry of Industry & Trade stipulating temporarily the permissible content limitation of some toxic chemicals in the electronic, electrical products.

This product is designed for commercial usage and is not consumer product.

NOTES:

- This manual may not be copied in whole or in part without prior written permission of Toshiba Tec Corporation.
- The contents of this manual may be changed without notification.
Please contact your authorized Toshiba Tec Corporation representative for the latest version of the manual.
- Please refer to your local authorized service representative with regard to any queries you may have in this manual.
- Windows is a registered trademark of Microsoft Corporation.

Importer (For EU, EFTA)

Toshiba Tec Germany Imaging Systems GmbH
Carl-Schurz-Str. 7, 41460 Neuss, Germany

Importer (For UK)

Toshiba Tec U.K. Imaging Systems Ltd
Abbey Cloisters, Abbey Green, Chertsey, Surrey, KT16 BRB, United Kingdom

Importer (For Turkey)

BOER BILISIM SANAYI VE TICARET ANONIM SIRKETI BCP
Yukari Dudullu, Tavukcuyolu Cad. Demirturk Sok No: 8A 34775,
Umraniye-Istanbul, Turkey

Manufacturer:

Toshiba Tec Corporation
1-11-1, Osaki, Shinagawa-ku, Tokyo, 141-8562, Japan

Precautions for the handling of Wireless Communication Devices

This product is classified as “wireless equipment for stations of low-power data transmissions systems” under the Wireless Telegraphy Act, and does not require a radio transmission license. The law prohibits modification of the interior of this product.

■ Regulatory Information

This product must be installed and used in strict accordance with the manufacturer’s instructions as described in the user documentation that comes with the product. This product complies with the following radio frequency and safety standards.

Standards below are certified under the operation with the provided antenna. Do not use this product with other antennas.

☐ Europe - EU Declaration of Conformity

Hereby, Toshiba Tec Corporation, declares that the BV410D/BV420D series are in compliance with the essential requirements and other relevant provisions of Directive 2014/53/EU.

☐ USA-Federal Communications Commission (FCC)

NOTE:

This equipment has been tested and found to comply with the limits for a Class A digital device, pursuant to Part 15 of the FCC Rules. These limits are designed to provide reasonable protection against harmful interference when the equipment is operated in a commercial environment. This equipment generates, uses, and can radiate radio frequency energy and, if not installed and used in accordance with the instruction manual, may cause harmful interference to radio communications. Operations of this equipment in a residential area is likely to cause harmful interference in which case the user will be required to correct the interference at his own expense.

CAUTION:

This device complies with Part 15 of the FCC Rules.

Operation is subject to the following two conditions:

- (1) this device may not cause harmful interference, and
- (2) this device must accept any interference received, including interference that may cause undesired operation.

Any changes or modifications not expressly approved by the grantee of this device could void the user’s authority to operate the equipment.

RF EXPOSURE WARNING:

This equipment must be installed and operated in accordance with provided instructions and the antenna(s) used for this transmitter must be installed to provide a separation distance of at least 20 cm from all persons and must not be co-located or operating in conjunction with any other antenna or transmitter. End-users and installers must be provide with antenna installation instructions and transmitter operating conditions for satisfying RF exposure compliance.

☐ Canada - Industry Canada (IC)

This device complies with Canada licence-exempt RSS standard(s).

Operation is subject to the following two conditions:

- (1) this device may not cause interference, and
- (2) this device must accept any interference, including interference that may cause undesired operation of the device.

Cet appareil est conforme avec Industrie Canada exemptes de licence RSS standard(s).

Son fonctionnement est soumis aux deux conditions suivantes:

- (1) cet appareil ne doit pas causer d’interférence et
- (2) cet appareil doit accepter toute interférence, notamment les interférences qui peuvent affecter son fonctionnement.

Radio Frequency (RF) Exposure Information

The radiated output power of the Wireless Device is below the Industry Canada (IC) radio frequency exposure limits. The Wireless Device should be used in such a manner such that the potential for human contact during normal operation is minimized.

This device has also been evaluated and shown compliant with the IC RF Exposure limits under mobile exposure conditions (antennas are greater than 20cm from a person's body).

Informations concernant l'exposition aux fréquences radio (RF)

La puissance de sortie émise par l'appareil de sans fil est inférieure à la limite d'exposition aux fréquences radio d'Industry Canada (IC). Utilisez l'appareil de sans fil de façon à minimiser les contacts humains lors du fonctionnement normal.

Ce périphérique a également été évalué et démontré conforme aux limites d'exposition aux RF d'IC dans des conditions d'exposition à des appareils mobiles (antennes sont supérieures à 20 cm à partir du corps d'une personne).

■ Approved Countries/Regions for Use for the Devices

This equipment is approved to the radio standard by the specific countries/regions. Please ask Toshiba Tec authorized dealers or service technicians.

■ Precaution for Use

This product communicates with other devices by radio. Depending on the installation location, orientation, environment, etc., its communication performance may deteriorate or devices installed near by may be affected. Bluetooth® and Wireless LAN devices operate within the same radio frequency range and may interfere with one another. If you use Bluetooth® and Wireless LAN devices simultaneously, you may occasionally experience a less than optimal network performance or even lose your network connection.

If you should experience any such problem, immediately turn off your Bluetooth® or Wireless LAN device.

Keep away from a microwave.

Communication performance may deteriorate or a communication error may occur due to the radio emitted from a microwave.

Do not use the product on a metal table or near a metal object. Communication performance may be deteriorated.

* Bluetooth® is a registered trademark owned by Bluetooth SIG, Inc.






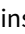
Safety Precautions

■ Safety Summary

Personal safety in handling or maintaining the equipment is extremely important. Warnings and Cautions necessary for safe handling are included in this manual. All warnings and cautions contained in this manual should be read and understood before handling or maintaining the equipment.

Do not attempt to effect repairs or modifications to this equipment. If a fault occurs that cannot be rectified using the procedures described in this manual, turn off the power, unplug the machine, and then contact your authorized Toshiba Tec Corporation representative for assistance.






■ Meanings of Each Symbol

	WARNING	This symbol indicates a potentially hazardous situation which, if not avoided, could result in death, serious injury, or serious damage, or fire in the equipment or surrounding objects.
	CAUTION	This symbol indicates a potentially hazardous situation which, if not avoided, may result in minor or moderate injury, partial damage to the equipment or surrounding objects, or loss of data.
	PROHIBITED	This symbol indicates prohibited actions (prohibited items). Specific prohibited contents are drawn inside or near the  symbol. (The symbol on the left indicates “no disassembling”.)
	MUST be Performed	This symbol indicates actions which must be performed. Specific instructions are drawn inside or near the  symbol. (The symbol on the left indicates “disconnect the power cable plug from the outlet”.)

Note

Indicates information to which you should pay attention when operating the manual.

■ WARNING

	WARNING This indicates that there is the risk of death or serious injury if the machine is improperly handled contrary to this indication.
	Any other than the specified AC voltage is prohibited. Do not use voltages other than the AC voltage specified on the rating plate, as this may cause a fire or an electric shock .
	Prohibited Do not plug in or unplug the power cable with wet hands as this may cause an electric shock .
	Prohibited If the machine share the same electrical outlet with any other appliance that consumes a large amount of power, the voltage will fluctuate widely each time these appliances operate. Be sure to provide an exclusive outlet for the machine as this may cause a fire or an electric shock .
	Prohibited Do not place metal objects or water-filled containers such as flower vases, flower pots or mugs, etc. on the top of the machine. If metal objects or spilled liquid enter the machine, this may cause a fire or an electric shock .

	Prohibited	Do not insert or drop metal, flammable or other foreign objects into the machine through the ventilation slits, as this may cause a fire or an electric shock .
	Prohibited	Do not scratch, damage or modify the power cable. Also, do not place heavy objects on, pull on, or excessively bend the power cable, as this may cause a fire or an electric shock .
	Disconnect the plug.	If the machine is dropped or their cabinet damaged, first turn off the power switch and disconnect the power cable plug from the outlet, and then contact your authorized Toshiba Tec Corporation representative for assistance. Continued use of the machine in that condition may cause a fire or an electric shock .
	Disconnect the plug.	Continued use of the machine in an abnormal condition such as when the machine is producing smoke or strange smells may cause a fire or an electric shock . In these cases, immediately turn off the power switch and disconnect the power cable plug from the outlet. Then, contact your authorized Toshiba Tec Corporation representative for assistance.
	Disconnect the plug.	If foreign objects (metal fragments, water, liquids) enter the machine, turn off the power switch and disconnect the power cable plug from the outlet, and then contact your authorized Toshiba Tec Corporation representative for assistance. Continued use of the machine in that condition may cause a fire or an electric shock .
	Disconnect the plug.	When unplugging the power cable, be sure to hold and pull on the plug. Pulling on the cable may cut or expose the internal wires and cause a fire or an electric shock .
	Connect a grounding wire.	Ensure that the equipment is properly grounded. Extension cables should also be grounded. Fire or electric shock could occur on improperly grounded equipment.
	No disassembling.	Do not remove covers, repair or modify the machine by yourself. Contact your authorized Toshiba Tec Corporation representative for assistance. You may be injured by high voltage, very hot parts or sharp edges inside the machine.
	Prohibited	Do not use a spray cleaner containing flammable gas for cleaning this product, as this may cause a fire .
	Prohibited	Care must be taken not to injure yourself with the printer paper cutter.

■ CAUTION



CAUTION

This indicates that there is the risk of personal **Injury** or **damage** to objects if the machine is improperly handled contrary to this indication.

Precautions

The following precautions will help to ensure that this machine will continue to function correctly.

- Try to avoid locations that have the following adverse conditions:
 - Temperatures out of the specification
 - Direct sunlight
 - High humidity
 - Shared power source
 - Excessive vibration
 - Dust/Gas
- The cover should be cleaned by wiping with a dry cloth or a cloth slightly dampened with a mild detergent solution. NEVER USE THINNER OR ANY OTHER VOLATILE SOLVENT on the plastic covers.
- USE ONLY TOSHIBA TEC CORPORATION SPECIFIED paper.
- DO NOT STORE the paper where they might be exposed to direct sunlight, high temperatures, high humidity, dust, or gas.
- Ensure the printer is operated on a level surface.
- When an external power source such as an AC adapter is connected to the printer, DO NOT use any device other than the FSP060-RAAK3 AC adapter.
- Any data stored in the memory of the printer could be lost during a printer fault.
- Try to avoid using this equipment on the same power supply as high voltage equipment or equipment likely to cause mains interference.
- Unplug the machine whenever you are working inside it or cleaning it.
- Keep your work environment static free.
- Do not place heavy objects on the top of the machine, as these items may become unbalanced and fall causing **injury**.
- Do not block the ventilation slits of the machine, as this will cause heat to build up inside the machine and may cause a **fire**.
- Do not lean against the machine. It may fall on you and could cause **injury**.
- Unplug the machine when it is not used for a long period of time.
- Place the machine on a stable and level surface.

Request Regarding Maintenance

- Utilize our maintenance services.

After purchasing the machine, contact your authorized Toshiba Tec Corporation representative for assistance once a year to have the inside of the machine cleaned.

Dust will build up inside the machine and may cause a **fire** or a **malfunction**.
Cleaning is particularly effective before humid rainy seasons.
- Our preventive maintenance service performs periodic checks and other work required to maintain the quality and performance of the machine, preventing accidents beforehand.

For details, please consult your authorized Toshiba Tec Corporation representative.
- Using insecticides and other chemicals

Do not expose the machine to insecticides or other volatile solvents. This will cause the cabinet or other parts to deteriorate and may cause the paint to peel.

CONTENTS

Notes to Users	1
Precautions for the handling of Wireless Communication Devices	4
Regulatory Information	4
Approved Countries/Regions for Use for the Devices	5
Precaution for Use	5
Safety Precautions	6
Safety Summary	6
Meanings of Each Symbol	6
WARNING	6
CAUTION	8
1. Product Overview	11
Introduction	11
Features	11
Unpacking	11
When purchasing the power cable	12
2. Description of Components	14
Front and rear views	14
Interior	15
3. Accessories	16
4. Operation Panel Functions	17
BV410D	17
BV420D	19
5. Printer Setup	20
Precautions	20
Setup procedure of the printer	21
6. Connecting the Cables	22
7. Connecting the AC Adapter and Power Cable	23
8. Turning the Printer On and Off	24
How to turn the power on	24
How to turn the power off	24
9. Opening and Closing the Top Cover	25
To open the top cover	25
To close the top cover	25
10. Loading the Media	26
Loading the media roll (label roll and tag roll)	26
Loading the fanfold paper	29
11. Adjusting the Media Sensors	30
Feed gap sensor	30
Black mark sensor	30
12. Print mode	31
Batch mode	31
Strip mode (Option)	31
Cut mode (Option)	32
External media stand (Option)	33
13. Maintenance	35
Print head	35
Media sensors	35
Platen roller	36
Peel-off module (Option)	36
Media housing	36
How to store and handle the media	37

14. Troubleshooting	38
Troubleshooting	38
Status lamp	39
Removing jammed media	41
15. Printer Specifications	42
Printer	42
Options	44
16. Media Specifications	45
Media	45

1. Product Overview

■ Introduction

Thank you for purchasing our barcode printer. This Owner's Manual contains valuable information such as the general setup and how to confirm the printer's operation using test prints. Read this carefully to help you to gain maximum performance and life from your printer. Be sure to keep this manual close at hand for daily reference. For further information concerning this manual, contact your Toshiba Tec Corporation representative.

■ Features

This printer has the following features:

Interfaces	A USB port and Ethernet support interface are embedded in this printer as standard. Wireless LAN, Bluetooth and serial interface (RS-232C) can also be embedded as an option.
Easy to use	The printer mechanism is designed to allow simple operation and easy access to maintenance.
Flexible hardware	Sharp and clear printing can be achieved by an 8-dot/mm (203 dpi) print head (in BV410D-GS02-QM-S and BV420D-GS02-QM-S) at a speed of up to 177.8 mm/sec. (7"/sec.) or an 11.8-dot/mm (300 dpi) print head (in BV410D-TS02-QM-S and BV420D-TS02-QM-S) at a speed of up to 127 mm/sec. (5"/sec.).
Full range of options	The following optional devices can also be installed in this printer. <ul style="list-style-type: none">• Cutter module• Peel-off module• External media stand• Wireless LAN interface• Bluetooth interface• Serial (RS-232C) interface• AC adapter cover

■ Unpacking

- 1 Unpack the printer.**
- 2 Check that there are no scratches on the printer or any other damage to it.**





















Note

Toshiba Tec Corporation shall have no liability for any damage or anything similar sustained during transportation.

- 3 Keep the carton and internal packing materials for future transportation of the printer.**

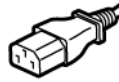
■ When purchasing the power cable

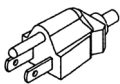

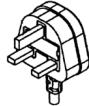

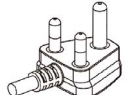
In some countries, the power cable is not provided with this printer. If this is the case, purchase an approved power cable that meets the following standards or contact your authorized Toshiba Tec Corporation representative.

Country/ Region	Agency	Certification mark	Country/ Region	Agency	Certification mark	Country/ Region	Agency	Certification mark
Australia	SAA		Germany	VDE		Sweden	SEMKKO	
Austria	OVE		Ireland	NSAI		Switzerland	SEV	
Belgium	CEBEC		Italy	IMQ		UK	ASTA	
Canada	CSA		Japan	METI		UK	BSI	
Denmark	DEMKO		Netherlands	KEMA		U.S.A.	UL	
Finland	FEI		Norway	NEMKO		Europe	HAR	
France	UTE		Spain	AEE		Taiwan	CNS	
South Africa	SABS							

Power cable instructions

1. For use with 100 – 125 Vac mains power supply, select a power cable rated Min. 125V, 10A.
2. For use with 200 – 240 Vac mains power supply, select a power cable rated Min. 250V, 10A.
3. Select a power cable with the length of 2 m or less.
4. The power cable plug connected to the AC adapter must be able to be inserted into an ICE-320-C14 inlet. Refer to the following figure for the shape.




Country/Region	North America	Europe	United Kingdom	Australia	South Africa
Power cable Rated (Min.) Type	125V, 10A SVT	250V H05VV-F	250V H05VV-F	250V AS3191 approved, Light or Ordinary Duty type	250V, 6A H05VV
Conductor size (Min.)	No. 3/18AWG	3 x 0.75 mm ²	3 x 0.75 mm ²	3 x 0.75 mm ²	3 x 0.75 mm ²
Plug configuration (locally approved type)					
Rated (Min.)	125V, 10A	250V, 10A	250V *1	250V *1	250V *1

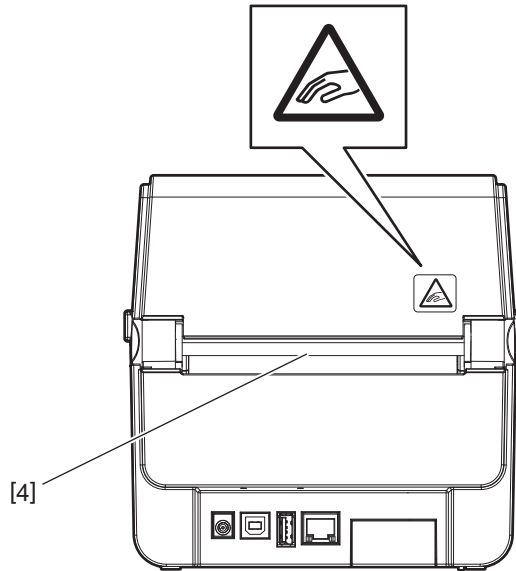
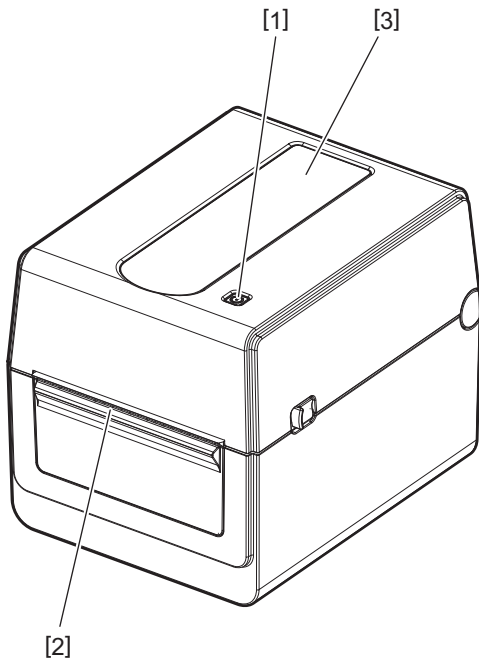
*1 At least, 125% of the rated current of the product

2. Description of Components

The name of the components in this section is used in the following chapters.


■ Front and rear views

	<p>⚠ CAUTION</p> <p>MECHANICAL HAZARD</p> <p>To avoid injury, be careful not to trap your fingers in the paper slot while opening or closing the top cover.</p>
---	---



No.	Part Name	No.	Part Name
1	[POWER] button	3	Media view window
2	Media outlet	4	Paper slot

Note

For the interface section at the rear side, refer to  P.22 “6. Connecting the Cables”.

Interior



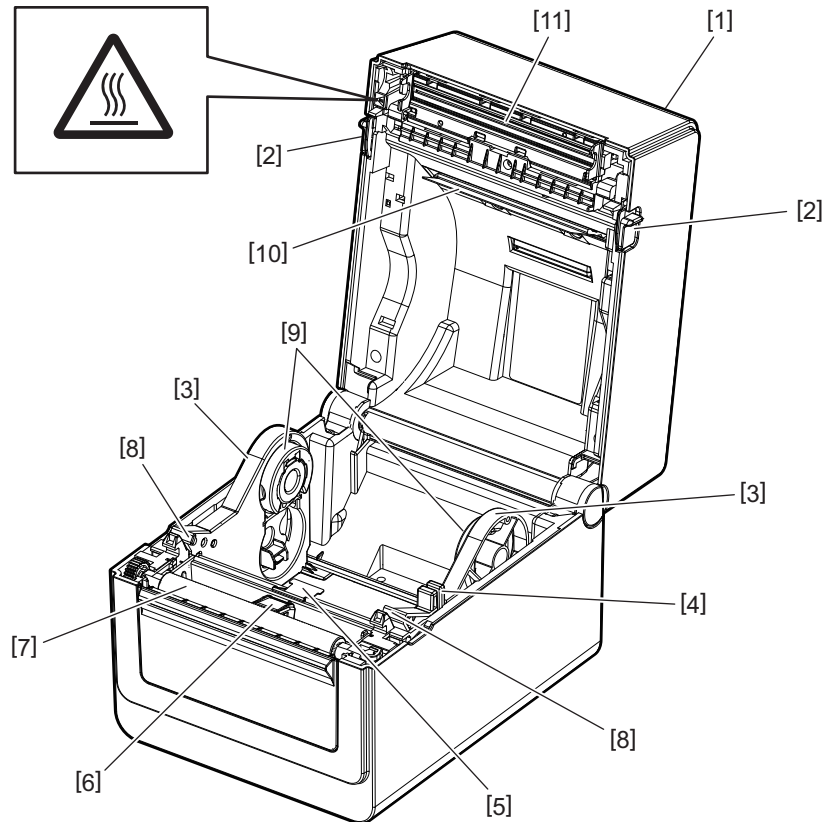
⚠ WARNING

HOT SURFACE

You may get burned.

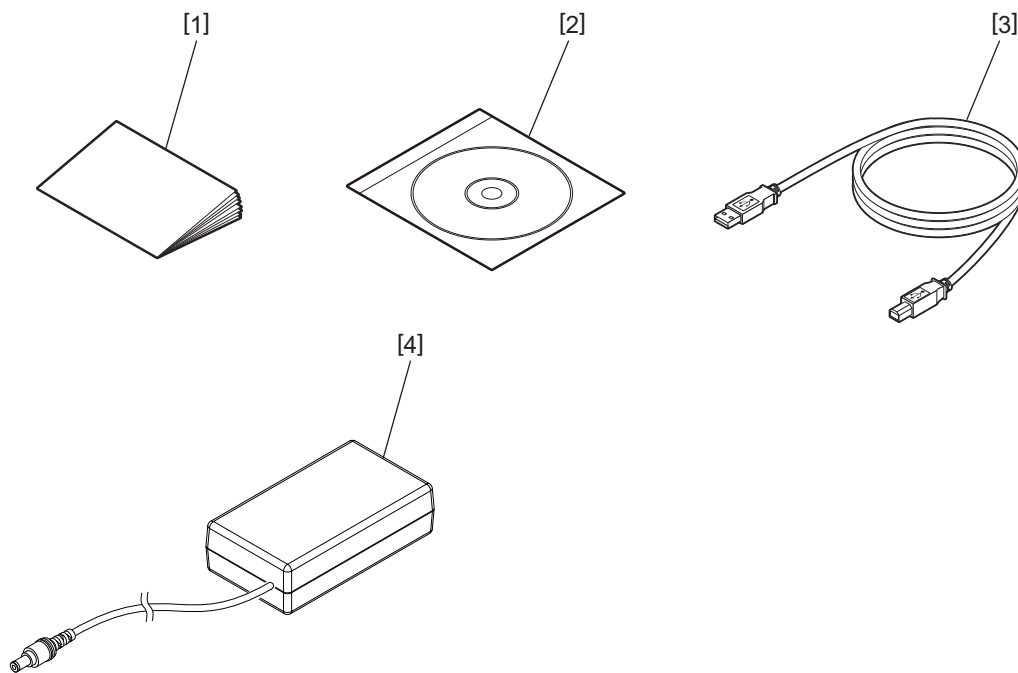
Do not touch the print head or around it immediately after printing.

The print head will become very hot during printing.



No.	Part Name	No.	Part Name
1	Top cover	7	Platen roller
2	Lock release portions (left, right)	8	Media guides (left, right)
3	Media roll holder	9	Core holders (left, right)
4	Holder lock lever	10	Media damper (upper)
5	Media damper (lower)	11	Print head
6	Media sensors		

3. Accessories

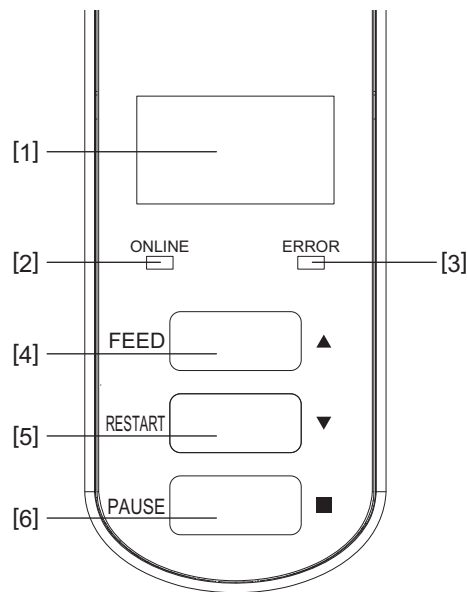


No.	Part Name	No.	Part Name
1	Owner's Manual	3	USB cable
2	CD-ROM	4	AC adapter

4. Operation Panel Functions

The buttons on the operation panel are used to operate and set the printer.

■ BV410D

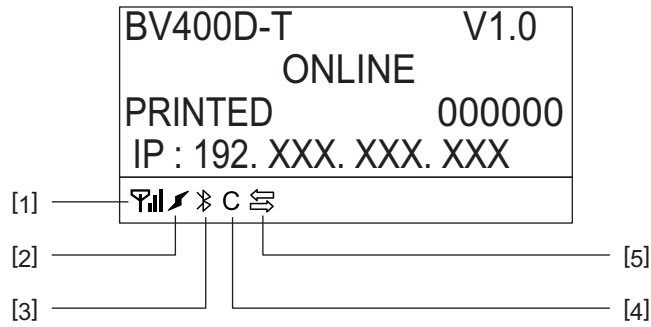


No.	Name	Function/Usage
1	LCD (Liquid Crystal Display)	<ul style="list-style-type: none"> Displays the printer status icons, such as the radio intensity and etc. The printer status is indicated in alphanumeric characters or symbols.
2	ONLINE lamp	<ul style="list-style-type: none"> Lights when the printer is in the online mode. Blinks when communicating with a host computer.
3	ERROR lamp	Lights when a communication error occurs, the paper ends or the printer is not operating correctly.
4	[FEED] button	Feeds one sheet of media by pressing this button while the printer is in the online mode. This is used to move the cursor upward in the operation of the Help screen or the selection screen.
5	[RESTART] button	<ul style="list-style-type: none"> Returns the printer to the online mode by pressing this button after removing the error. Restarts printing by pressing this button while the printer pauses. This is used to reboot the printer by quitting the Help screen or to move the cursor downward in the selection screen.
6	[PAUSE] button	<ul style="list-style-type: none"> Pauses printing. Resets the printer when paused or when an error occurs. This is used to fix the items selected in the operation of the Help screen or the selection screen.

Note

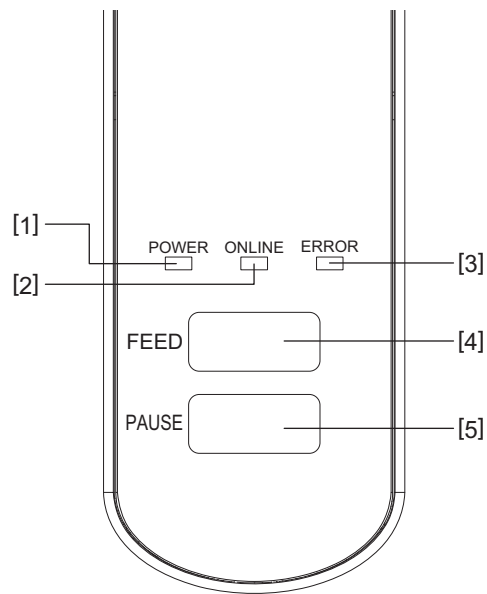
When an error occurs in the printer, the ERROR lamp lights and a message is displayed on the LCD. For details, refer to [P.38 "14. Troubleshooting"](#).

<Icons displayed on the LCD>



No.	Name	Icon	Function/Usage	
1	Wireless LAN		Indicates when the optional Wireless LAN is installed. The intensity of the Wireless LAN is indicated by 4 levels.	
2	Link		Roaming	Indicates when the optional Wireless LAN is installed. When the radio wave of the specified access point is lost, another one is searched and is connected automatically.
			Wireless LAN connecting	
3	Bluetooth connection		Bluetooth connecting	Indicates the Bluetooth connection status when the optional Bluetooth is installed.
			Bluetooth connectable	
4	Bluetooth mode		Bluetooth connecting	Indicates during the automatic reconnection mode of Bluetooth.
5	Data reception		Data transmission/reception	Indicates the data transmission status.

■ BV420D



No.	Name	Function/Usage
1	POWER lamp	Lights when the power is turned on.
2	ONLINE lamp	<ul style="list-style-type: none"> Lights when the printer is in the online mode. Blinks when communicating with a host computer.
3	ERROR lamp	Lights when a communication error occurs, the paper ends or the printer is not operating correctly.
4	[FEED] button	Feeds one sheet of media by pressing this button while the printer is in the online mode.
5	[PAUSE] button	<ul style="list-style-type: none"> Pauses printing. Resets the printer when paused or when an error occurs.

Note

When the ERROR lamp lights, an error has occurred in the printer.
For details, refer to P.38 “14. Troubleshooting”.

5. Printer Setup

This chapter explains the procedures necessary to set up the printer prior to its operation.

⚠ WARNING

Avoid using the printer in the locations where it is subjected to intense light (e.g.: direct sunlight or desk light). Such light may affect the sensors of the printer, causing malfunctions.

■ Precautions

To insure the best operating environment, as well as to assure the safety of the operator and the printer, be sure to observe the following precautions.

- Operate the printer on a stable and level surface in a location free from excessive humidity, high temperature, dust, vibration and direct sunlight.
- Keep the work environment static free. Static discharges can cause damage to delicate internal components.
- Make sure that the printer is connected to a clean AC power source and that no other high voltage devices that may cause line noise interference are connected to the same power source.
- Ensure that the printer is connected only to an AC power source that has a proper ground (earth) connection.
- Do not operate the printer with the cover open. Be careful not to allow your fingers or any articles of clothing to get caught in any of the moving parts of the printer.
- Before working on the inside of the printer or cleaning it, be sure to turn off the power of the printer and remove the AC adapter from it.
- For best results and a longer printer life, use only Toshiba Tec Corporation recommended media. (Refer to the Supply Manual.)
- Store the media in accordance with “How to store and handle the media” in this manual.
- This printer mechanism contains high voltage components. Therefore, you should never remove any of the covers of the printer as you may get an electric shock.
Additionally, the printer contains many delicate components. They may be damaged if accessed by unauthorized personnel.
- Clean the outside of the printer with a clean dry cloth or a clean cloth slightly dampened with a mild detergent solution.
- The print head and its peripherals will become very hot during printing. You may get burnt if you touch it in such a condition. Therefore, wait until the printer has cooled down sufficiently before cleaning.
Use only the Toshiba Tec Corporation recommended print head cleaner to clean the print head.
- Do not turn off the printer or remove the power plug while printing or while any lamp is blinking.
- The printer shall be installed near the socket outlet and shall be set so that the power plug can be removed from the socket outlet easily.
- The power plug should be removed from the socket outlet once a year at least and cleaned around the prongs. Accumulating dust and dirt could cause a fire due to the heat released by electrical leakage.
- When the printer will not be used for a long time, pull the lock release lever toward you to unlock the top cover so that no pressure is applied to the label.

■ Setup procedure of the printer

This section explains the procedures necessary to set up the printer properly.

⚠ CAUTION

- To make a communication with a host computer, an RS-232C, Ethernet or USB cable is required.
 - RS-232C cable: 9 pins (Do not use a null modem cable.)
 - Ethernet cable: 10/100 base
 - USB cable: V2.0 (Hi-Speed)
- The use of a Windows driver will enable printing from Windows applications.
The printer can also be controlled with its own programming commands. For details, contact your Toshiba Tec representative.

1 Unpack the printer and its accessories from the carton.

2 Place the printer in the location where it is used.

To correctly use and install the printer, see the co-packed "Safety Precautions".


3 Check that the printer is turned off.

Refer to  P.24 "8. Turning the Printer On and Off".


4 Connect the printer to the host computer or network using an RS-232C, Ethernet or USB cable.

Refer to  P.22 "6. Connecting the Cables".


5 Connect the AC adapter to the printer and plug the power cable into a properly grounded outlet.

Refer to  P.23 "7. Connecting the AC Adapter and Power Cable".

6 Load the media.

Refer to  P.26 "10. Loading the Media".

7 Adjust the position of the media sensors to match the media to be used.

Refer to  P.30 "11. Adjusting the Media Sensors".

8 Install the printer driver in the host computer.

Refer to "Printer Driver" in the CD-ROM.

9 Turn the power on.

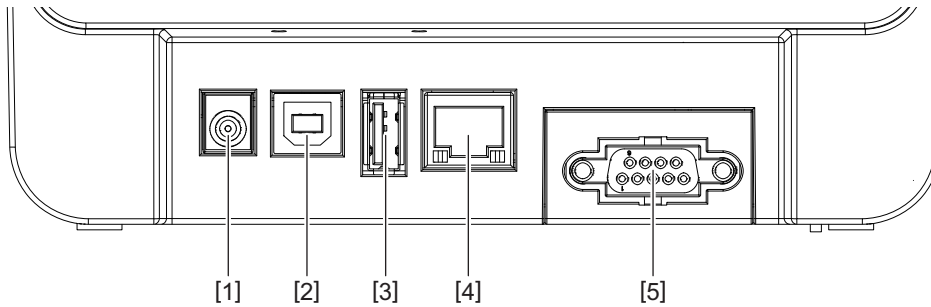
Refer to  P.24 "8. Turning the Printer On and Off".

6. Connecting the Cables

This chapter explains on how to connect the communication cables to the printer from a host computer or other devices. Three types of cables can be used in this printer.

⚠ CAUTION

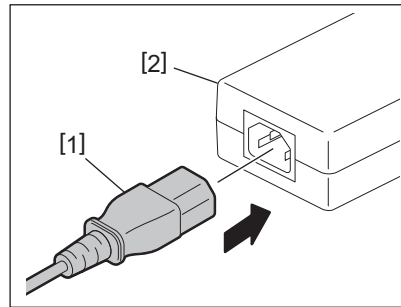
- Be sure to connect the serial cable while the printer and the host computer are turned off.
- If an attempt is made to connect the cable while the printer and the host computer are turned on, this may cause damage, an electric shock or a short circuit.




No.	Part Name	Usage
1	Power jack	This is used to connect the AC adapter.
2	USB interface for connecting a host computer	This is used to connect one of the USB ports of a host computer with a USB cable. Use a USB cable which has a type B plug attached to one of its sides.
3	USB interface for connecting a USB memory	This is used to connect another device with a USB cable. e.g. the firmware downloading, the flash ROM expansion by a USB memory etc. and not for user.
4	Ethernet interface	This is used to connect a network with an Ethernet cable. In addition, direct connection to the Ethernet port of a host computer is possible. <div style="background-color: #333; color: white; padding: 2px; margin-bottom: 5px;">Note</div> <ul style="list-style-type: none"> • Be sure to use an Ethernet cable complying with the standard. 10BASE-T: Category 3 or greater 100BASE-TX: Category 5 or greater Cable length: Up to 100 m segment length • If a communication error caused by radio wave interference on the cable has occurred, use a shield cable (STP).
5	Serial interface (RS-232C) (Option)	This is used to connect one of the COM ports of a host computer with a serial cable.

7. Connecting the AC Adapter and Power Cable

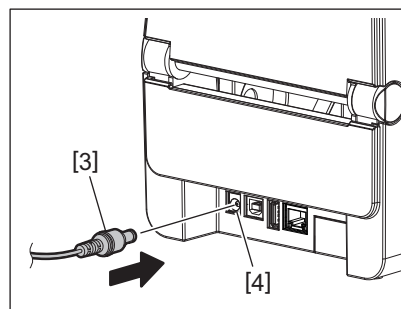
- 1** Plug the power cable [1] into the AC adapter [2].



Note

If a power cord is not provided with this printer, please purchase the correct one referring to  P.12 “When purchasing the power cable”.

- 2** Plug the AC adapter connector [3] into the power jack [4] at the rear side of the printer.



- 3** Plug the other end of the power cable into a grounded outlet.

8. Turning the Printer On and Off

⚠ CAUTION

- Press the [POWER] button of the printer to turn it on or off.
Do not plug in or unplug the power cable when you are turning the printer on or off as this may cause a fire, an electric shock or damage to the printer.
- Do not turn the power off during printing as this may cause a media jam or damage to the printer.
- Do not turn the power off while the ONLINE lamp is blinking as this may cause loss or corruption of the data being downloaded.

■ How to turn the power on

Note

If the printer is connected to a host computer, it is recommended to turn the printer on first and then the host computer.

<BV410D>

1 While the printer is turned off, press the [POWER] button for a few seconds.

2 The LCD on the control panel lights.

If the printer is connected to a host computer, the ONLINE lamp lights.


<BV420D>

1 While the printer is turned off, press the [POWER] button for a few seconds.

2 The POWER lamp on the control panel lights.

If the printer is connected to a host computer, the ONLINE lamp lights.

Note

- Approx. 30 seconds will be required to complete the loading of Open Type fonts after the power is turned on. The ONLINE lamp starts blinking (interval: 0.5 sec.) after 10 seconds have passed after the power has come on. When the loading of Open Type fonts is completed, the ONLINE lamp status is changed to lit. While the ONLINE lamp is blinking, print data can be received; however, printing of files including Open Type fonts is not possible.
- When the ERROR lamp lights, an error has occurred in the printer.
For details, refer to  P.38 “14. Troubleshooting”.

■ How to turn the power off

Note

If the printer is connected to a host computer, it is recommended to turn the host computer off first and then the printer.

<BV410D>

1 If the printer is connected to a host computer, check that the ONLINE lamp on the control panel is lighting (not blinking).

2 Press the [POWER] button for a while. The LCD will go out and the printer will be turned off.

If the printer is connected to a host computer, check that the ONLINE lamp on the control panel has gone out.

<BV420D>

1 Check that the ONLINE lamp on the control panel is lighting (not blinking).

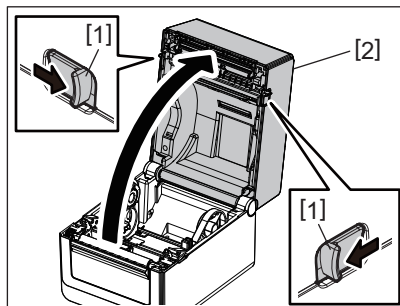
2 Press the [POWER] button for a while. All the lamps will go out and the printer will be turned off.

If the printer is connected to a host computer, check that the ONLINE lamp on the control panel has gone out.

9. Opening and Closing the Top Cover

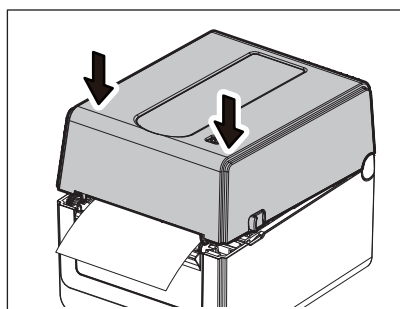
■ To open the top cover

While pulling the lock release part [1], open the top cover [2].



■ To close the top cover

Close the top cover.



Note

Be sure to close the top cover completely. Otherwise, this may affect the print quality.

10. Loading the Media

This chapter explains how to load the media in the printer. This printer is intended for printing the media roll (label roll and tag roll) and fanfold paper. Use Toshiba Tec Corporation approved media.

⚠ WARNING

Do not touch the print head or around it immediately after printing.

The print head will become very hot during printing. You may get burnt if you touch it in such a condition.

⚠ CAUTION

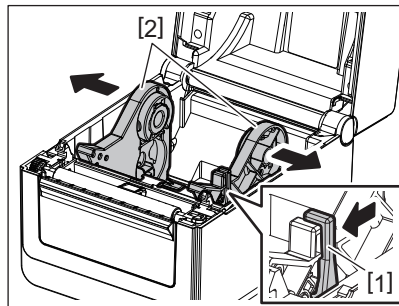
- To avoid injury, be careful not to trap your fingers in the paper slot while opening or closing the top cover.
- Do not touch the print head.
Otherwise, some dots may be damaged due to static electricity or other print quality problems.

■ Loading the media roll (label roll and tag roll)


1 Open the top cover.

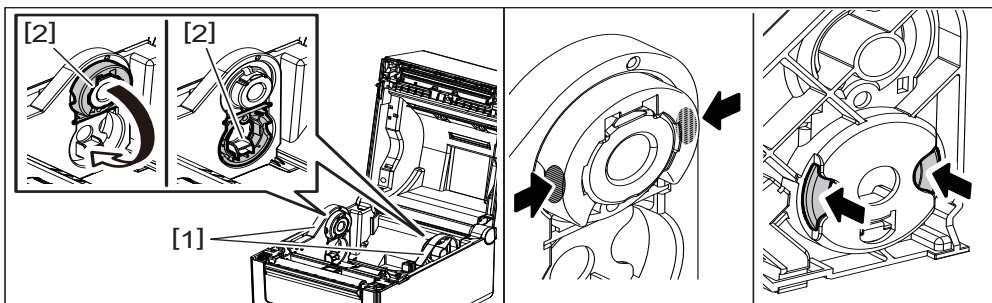
For details, refer to  P.25 “9. Opening and Closing the Top Cover”.

2 While holding the holder lock lever [1], slide the media holder [2] toward the exterior.

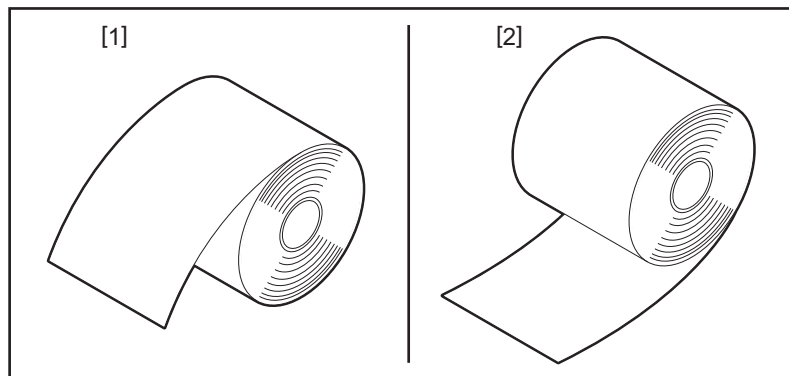


Note

- Be sure to perform calibration of the media sensors whenever you change the media type.
For details, refer to “BV400 Series Key Operation Specification” in the CD-ROM.
- The available media size to be set in the printer is as below.
 - Roll diameter: Max. 127 mm (5")
 - Inner core diameter: 25.4 mm (1"), 38.1 mm (1.5") or 42 mm (1.65")
- If the roll diameter exceeds 127 mm (5") and the inner core diameter is 76.2 mm (3"), the External media stand (option) is required.
For details, refer to  P.33 “External media stand (Option)”.
- The size of the core holder in the media roll holder [1] is set to 38.1 mm (1.5") and 42 mm (1.65") at the time of factory shipment. When a media roll whose inner core diameter is 25.4 mm (1") is used, remove the core holder [2], turn it over and put it into the frame of the printer as shown below.

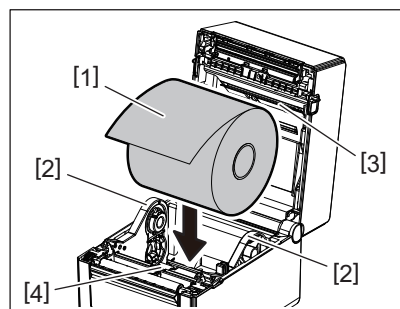


- Printing can be performed with both an outside wound [1] and an inside wound [2] media roll. (Refer to the figure below.) Place the media roll so that its printing surface comes upward.



3 Place the media roll.

Set the media roll [1] between the media roll holders [2] while its printing surface comes upward.

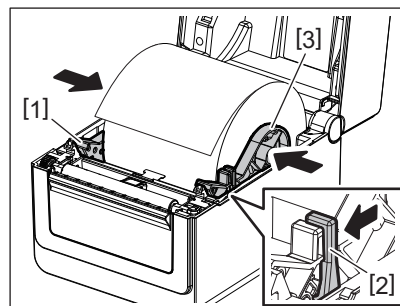


Note

When placing the media roll, be careful not to let it be folded by coming into contact with the media damper (upper) [3] and the media damper (lower) [4] attached to the top cover and the printer.

4 Align the media guides [1] to the media roll width.

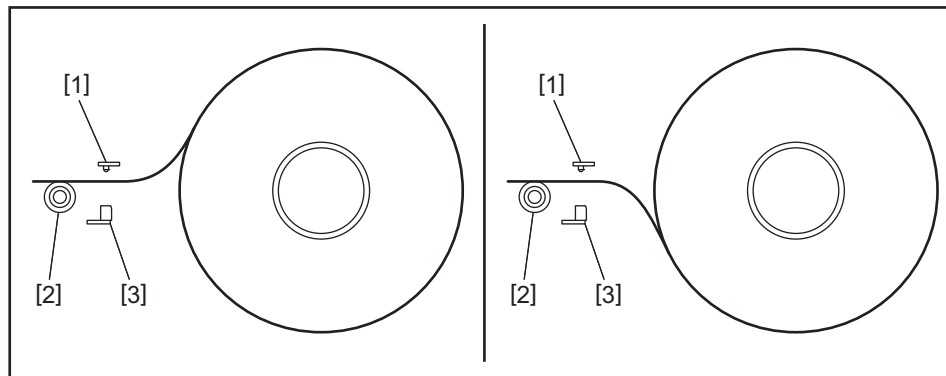
While holding the holder lock lever [2], slide the media holder [3] to fix the media roll securely.



Note

- Check that the printer printing surface has come upward.

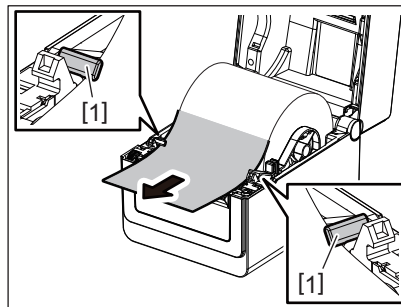
- Cut the edge of the media with scissors.



- [1] Feed gap sensor
- [2] Platen roller
- [3] Black mark sensor

5 Load the media.

Pass the media through the media guides [1] and pull it until it reaches the front of the printer.



Note

Do not squeeze the media too much with the media guides. Otherwise, the media will bend and this may cause jamming or misfeeding.

6 Adjust the media sensors.

For details, refer to [P.30](#) “11. Adjusting the Media Sensors”.

7 Close the top cover.

For details, refer to [P.25](#) “9. Opening and Closing the Top Cover”.

Note

Be sure to close the top cover completely. Otherwise, this may affect the print quality.

8 Press the [FEED] button.

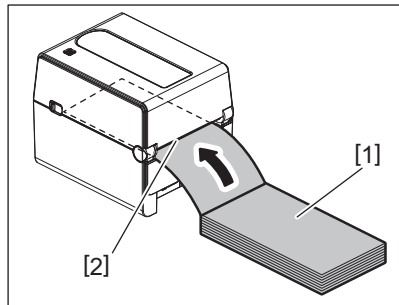
Check that the media is fed correctly.


■ Loading the fanfold paper

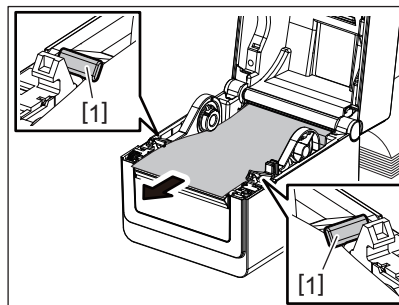
Note

- Set the fanfold paper while its printing surface comes upward.
- Place the stack of fanfold paper parallel to the paper slot.
- Check that the interface cable and the power cable do not interfere with the feeding of the fanfold paper.

- 1 Place the stack of fanfold paper [1] at the rear side of the printer and insert its leading edge into the paper slot [2].**




- 2 Open the top cover.**
For details, refer to  P.25 “9. Opening and Closing the Top Cover”.
- 3 Pass the media through the media guides [1] and pull it until it reaches the front of the printer.**



Note

Do not squeeze the media too much with the media guides. Otherwise, the media will bend and this may cause jamming or misfeeding.

- 4 Close the top cover.**
For details, refer to  P.25 “9. Opening and Closing the Top Cover”.

11. Adjusting the Media Sensors

The two types of media sensors are equipped in this printer as below.

Feed gap sensor (transmissive): Detects the length between the labels.

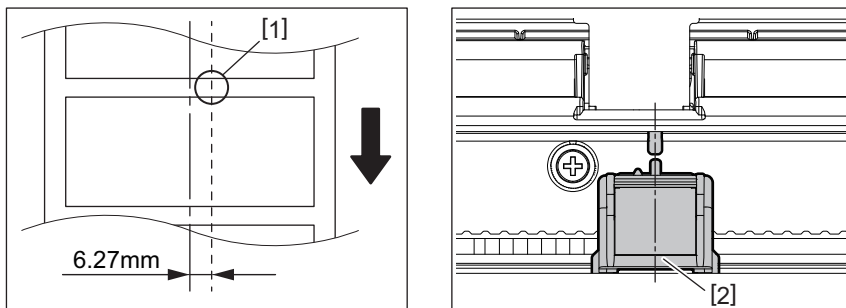
Black mark sensor (reflective): Detects the black marks printed on the back side of the media.

Note

- When the media is changed to another one, it is necessary to adjust the sensitivity of these two sensors.
- Otherwise, printed black marks are not detected and an error will occur as a result.

■ Feed gap sensor

- The position [1] of the feed gap sensor is fixed. Align the protrusion of the black mark sensor [2] to the position as shown in the figure below.
- Be sure to perform calibration of the media sensors whenever you change the media type. For details, refer to “BV400 Series Key Operation Specification” in the CD-ROM.

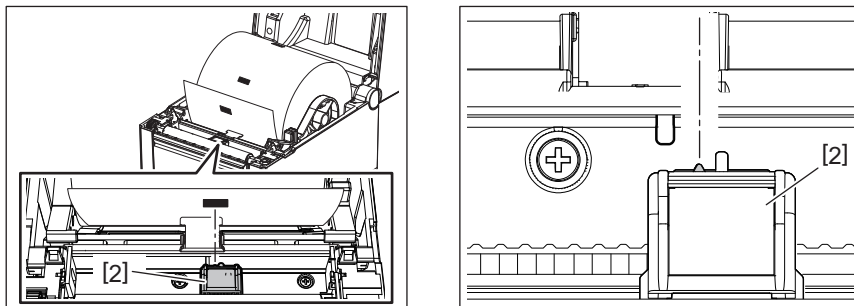


Note

The feed gap sensor is positioned 6.27 mm right from the media center.

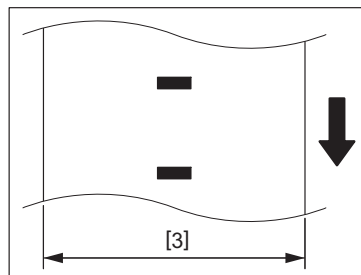
■ Black mark sensor

- 1 Slide the black mark sensor [2] toward the right or left to align it to the center of the black mark of the media.**



Tip

The black mark sensor is movable over the range of the media width [3].



- 2 Adjust the sensitivity of the black mark sensor.**

For details, refer to “BV400 Series Key Operation Specification” in the CD-ROM.

12. Print mode

There are four print modes available for this printer.

■ Batch mode

In the batch mode, the media is continuously printed and fed until the number of prints specified in the issue command has been printed.

Note

To separate the printed media from the printer in the batch mode, tear the media off at the media outlet with your hands. (When the optional peel-off module is installed, tear the media off outside of the strip plate.) If you have torn the media off at the print head mistakenly, be sure to feed one label (10 mm or more) by pressing the [FEED] button prior to the next print. Otherwise, this may cause a media jam.


■ Strip mode (Option)

When the optional peel-off module is installed and printing is performed in the strip mode, labels are automatically removed from the backing paper as each label is printed.

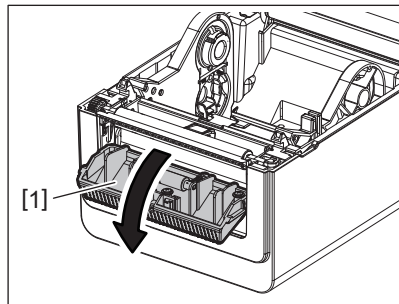
Note

When you print labels without removing them from the backing paper, it is not necessary to pass the media through the media slot.

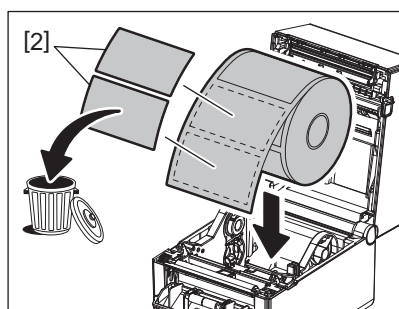
1 Place the media.

For details, refer to  P.26 “10. Loading the Media”.

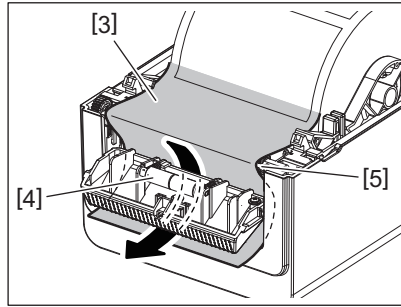
2 Open the peel-off module [1].



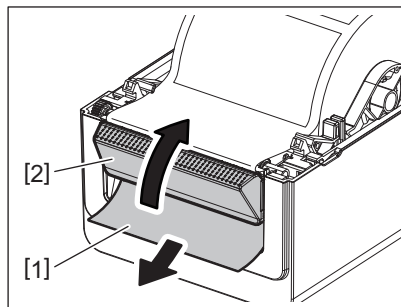
3 Remove enough labels [2] from the leading edge of the media so as only the backing paper portion can be created.




-
- 4** Pass through the backing paper [3] between the strip feed roller [4] and the peel-off bar [5].



- 5** Close the peel-off module [2] while slightly pulling the media toward you so that its backing paper [1] is not loosened.



- 6** Close the top cover.
For details, refer to  P.25 “9. Opening and Closing the Top Cover”.

■ Cut mode (Option)

When the optional cutter module is installed, the media can be automatically cut.


⚠ WARNING

HAZARDOUS MOVING PARTS KEEP FINGERS AND OTHER BODY PARTS AWAY

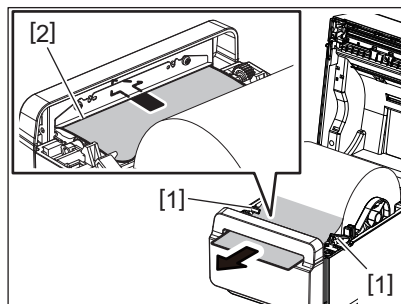
The cutter is sharp, so care must be taken not to injure yourself when handling the cutter.

⚠ CAUTION

- Be sure to cut only the backing paper of the label.
Cutting labels will cause glue to stick to the cutter blades which may affect the cutter quality and shorten its life.
- Use of tag paper with a thickness exceeding the maximum specified value may affect the cutter life.

- 1** Place the media.
For details, refer to  P.26 “10. Loading the Media”.


- 2** Load the media.
Set the media between the media guides [1] and then pass it through the media outlet [2] of the cutter module.



Note

Do not squeeze the media too much with the media guides. Otherwise, the media will bend and this may cause jamming or misfeeding.

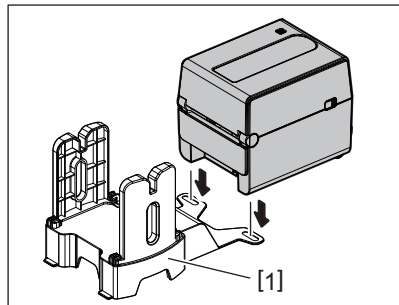
3 Close the top cover.

For details, refer to  P.25 "9. Opening and Closing the Top Cover".

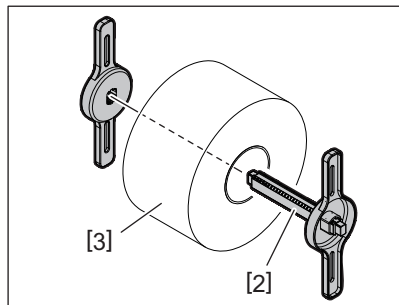
External media stand (Option)

If the roll diameter exceeds 127 mm (5") and the inner core diameter is 76.2 mm (3"), the External media stand (option) is required.

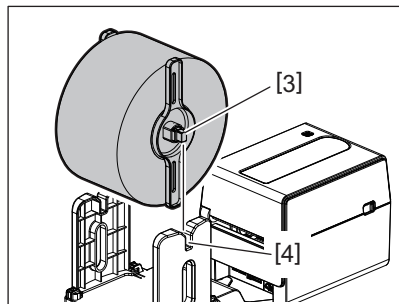
1 Install the External media stand [1] in the foot at the bottom of the printer.



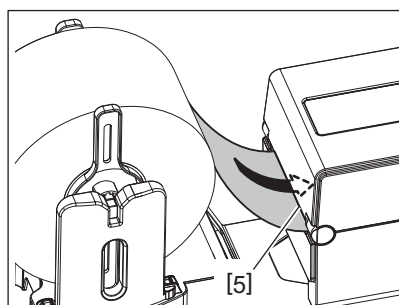
2 Insert the media shaft [2] into the core of the media roll [3].




3 Insert the media shaft [3] into the slot [4] on the External media stand.



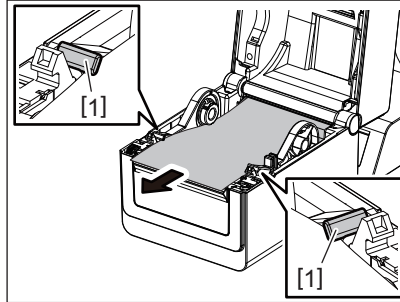
4 Insert the leading edge of the media into the paper slot [5] of the printer.



5 Open the top cover.

For details, refer to  P.25 “9. Opening and Closing the Top Cover”.


6 Pass the media through the media guides [1] and pull it until it reaches the front of the printer.



Note

Do not squeeze the media too much with the media guides. Otherwise, the media will bend and this may cause jamming or misfeeding.

7 Close the top cover.

For details, refer to  P.25 “9. Opening and Closing the Top Cover”.

13. Maintenance

This chapter explains the routine maintenance procedures.

To ensure the continuous high quality operation of your printer, regularly perform the maintenance routines or every time when the media is changed.

When the printer is intensively used (high throughput), perform the maintenance on a daily basis. When the printer is not intensively used, perform these maintenance on a weekly basis.

⚠ WARNING

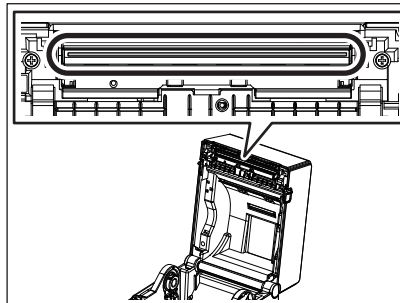
- Before cleaning the printer and its inside, be sure to turn off the power of the printer and unplug the power plug from the outlet for safety.
- To avoid injury, be careful not to trap your fingers in the paper slot while opening or closing the top cover. You may injure yourself.
- The print head will become very hot during printing. Therefore, do not touch the print head or its vicinity immediately after printing. You may get burnt if you touch it in such a condition.
- Do not pour water directly onto the printer. This may cause damage, an electric shock or a fire.

⚠ CAUTION

- Do not allow any hard objects to touch the print head or platen roller. This may cause damage to them.
- Do not use any volatile solvents including thinner and benzene. This may cause discoloration of the cover, print failure or printer damage.
- Do not touch the print head with your bare hands. This may cause static electricity and thus may damage the print head.

■ Print head

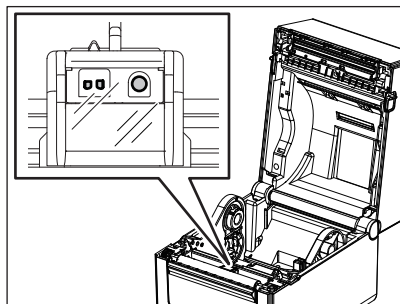
- 1 Turn the power off and open the top cover.**
- 2 Clean the print head with a print head cleaner, cotton swab or soft cloth slightly moistened with ethyl alcohol.**



■ Media sensors

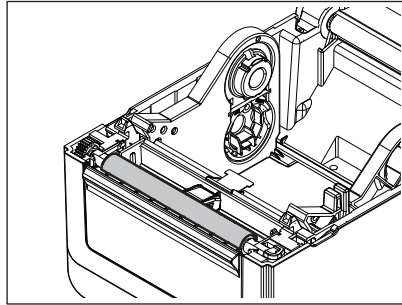
- 1 Turn the power off and open the top cover.**
- 2 Wipe the media sensors with a soft cloth or a cotton swab slightly moistened with absolute (pure) ethyl alcohol.**

To remove dust or paper particles, wipe the media sensors with a dry soft cloth.



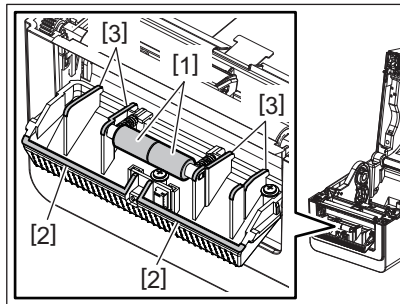
■ Platen roller

- 1** Turn the power off and open the top cover.
- 2** Wipe the platen roller with a soft cloth slightly moistened with absolute (pure) ethyl alcohol.



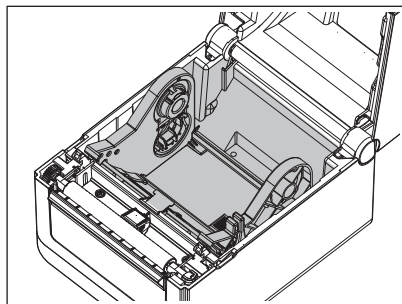
■ Peel-off module (Option)

- 1** Turn the power off and open the peel-off module.
- 2** Clean the surface of the roller [1], the edges [2] of the peel-off module cover and the ribs [3] of the backing paper transport guide with a dry soft cloth.



■ Media housing

- 1** Turn the power off and open the top cover.
- 2** Wipe the media housing with a dry soft cloth.
If dirt still adheres, wipe it off with a soft cloth slightly moistened with mild detergent solution.



■ How to store and handle the media

⚠ CAUTION

Be sure to carefully review and understand the Supply Manual. Use only media which meets the specified requirements. Use of non-specified media may shorten the head life and result in problems concerning barcode readability or print quality. All media should be handled with care to avoid any damage to the media or the printer. Read the guidelines in this section carefully.

- Do not store media for longer than the manufacturer's recommended shelf life.
- Store the media on the flat end. Do not store them on the curved sides as this might flatten that side causing an erratic media advance and poor print quality.
- Store the media in plastic bags and always reseal after opening. Unprotected media can get dirty and the extra abrasion from the dust and dirt particles will shorten the print head life.
- Store the media in a cool, dry place. Avoid areas where they would be exposed to direct sunlight, high temperatures, high humidity, dust or gas.
- The thermal paper used for direct thermal printing must not have specifications which exceed Na^+ 800 ppm, K^+ 250 ppm and Cl^- 500 ppm.
- Some ink used on pre-printed media may contain ingredients which shorten the print head's product life. Do not use labels pre-printed with ink which contain hard substances such as carbonic calcium (CaCO_3) and kaolin ($\text{Al}_2\text{O}_3, 2\text{SiO}_2, 2\text{H}_2\text{O}$).

For further information, contact your local distributor or your media manufacturer.

14. Troubleshooting

⚠ WARNING

If a problem cannot be solved by taking the actions described in this chapter, do not attempt to repair the printer. Turn off and unplug the printer. Then contact an authorized Toshiba Tec representative for assistance.

■ Troubleshooting

Symptom	Cause	Solutions
The POWER lamp of the printer does not light when the [POWER] button is pressed .	The power cable is not connected to the AC adapter.	Unplug the power cable from the AC outlet. Connect the power cable to the AC adapter and plug it into the AC outlet. 📖 P.23 “7. Connecting the AC Adapter and Power Cable”
	There is a power failure or the power is not being supplied to the AC outlet.	Check the AC outlet with a power cable from another electric appliance. If the power is not being supplied, ask your electrician or electricity supplier.
	The fuse of the building has blown or the circuit breaker has tripped.	Check the fuse or the circuit breaker.
	The AC adapter connector is disconnected from the power jack.	Unplug the power cable from the AC outlet. Connect the AC adapter connector to the power jack and plug the power cable to the AC outlet. 📖 P.23 “7. Connecting the AC Adapter and Power Cable”
Media is not issued.	The media is not loaded correctly.	Reload the media correctly. 📖 P.26 “10. Loading the Media”
	The interface cable is not connected correctly.	Reconnect the interface cable. 📖 P.22 “6. Connecting the Cables”
	The media sensors are dirty.	Clean the media sensors. 📖 P.35 “13. Maintenance”
Nothing is printed.	Even if the direct thermal mode is selected, the direct thermal media is not loaded.	Load a direct thermal media. 📖 P.26 “10. Loading the Media”
	The media is not loaded correctly.	Reload the media correctly. 📖 P.26 “10. Loading the Media”
	Print data are not sent from the host computer.	Send the print data.
Poor printing	Toshiba Tec Corporation approved media is not used.	Replace the media with the approved one.
	The print head is dirty.	Clean the print head. 📖 P.35 “13. Maintenance”
Missing dots	The print head is dirty.	Clean the print head. 📖 P.35 “13. Maintenance”
	Some print head parts are broken.	When missing dots affect the printout, turn off the printer and ask your Toshiba Tec representative to replace the print head.
Printing is done intermittently.	This will occur in order to cool down a print head whose temperature has become heated during a long-time continuous printing sequence.	Continue to use the printer in this condition. There is no problem in the life and safety of the printer.

Symptom	Cause	Solutions
Operation stops for a moment during continuous printing.	This will occur in order that the printer can be used with greater safety.	The printer can continue to be used in this condition.
Power supply is cut off when printing is attempted using paper whose length exceeds 40 cm (15.7").	When printing of an image whose black area is large (approx. 30% or larger) is carried out at a low speed, such as 50.8 mm/sec. (2"/sec.), 76.2 mm/sec. (3"/sec.), 101.6 mm/sec. (4"/sec.), the printer sometimes cuts off the power supply for safety purposes.	Remove the power plug of the AC adapter from the socket outlet and wait for a while. Then reconnect the power plug into the socket outlet. Press the [Power] button of the printer to return it to the online mode. This problem will be solved if printing is carried out at a high speed, such as 127 mm/sec. (5"/sec.), 152.4 mm/sec. (6"/sec.), 177.8 mm/sec. (7"/sec.).
Media jamming occurs immediately after printing has started.	If the printer is left for a long time without any printing being performed, media jamming may occur between the label and the platen roller.	When the printer will not be used for a long time, pull the lock release lever toward you to unlock the top cover so that no pressure is applied to the label.
Barcodes or 2D codes are not readable correctly.	This symptom might happen depending on paper characteristics.	Increase the module size. Select a lower printing speed. Change the barcode print orientation for the ladder barcode to the picket fence barcode (rotate 90 degrees). Check the scanner settings.
Labels are not correctly separated from the backing paper. (When the optional peel-off module is installed)	Toshiba Tec Corporation approved media is not used.	Replace the media with the approved one.
	The media is not loaded correctly.	Reload the media correctly. 📖 P.26 "10. Loading the Media"
The peel-off module opens during printing in the strip mode. (When the optional peel-off module is installed)	The backing paper is loaded in a loose state.	Reload the backing paper correctly. 📖 P.31 "12. Print mode"
The media is not cut cleanly. (When the optional cutter module is installed)	The cutter blade has reached the end of its useful life.	Turn off the printer and ask your Toshiba Tec representative to replace the cutter module.
A wireless LAN communication error occurs immediately after the printer is turned on.	It will take approx. 10 seconds to enable wireless LAN communication while the ONLINE lamp is being lit.	Turn on the printer. Wait at least 10 seconds after the ONLINE lamp has lit to start the communication.

■ Status lamp

LED lamps will light (ON) or blink corresponding to the printer status.

□ BV410D

LCD message	LED		Printer status
	ONLINE	ERROR	
ONLINE	ON	OFF	Normal - Online mode
	Blink	OFF	Normal - Online mode (communicating)
PAUSE	OFF	OFF	Printing is temporarily stopped (paused).
HEAD OPEN	OFF	OFF	The top cover is opened in the online mode.
	OFF	ON	Printing or media feeding is attempted while the top cover is opened.
COMMS ERROR	OFF	ON	A communication error has occurred. (Only when the RS-232C is used)

LCD message	LED		Printer status
	ONLINE	ERROR	
PAPER JAM	OFF	ON	1. Media jamming has occurred.
			2. The media is not loaded correctly.
			3. The media sensors differing from the media to be used are selected.
			4. The black mark sensor is not correctly aligned to the black marks on the media.
			5. The size of the loaded media differs from that for the specified paper size.
			6. The media sensor level is not suitable for the actual media.
			7. The gap of the pre-printed label cannot be detected.
CUTTER ERROR	OFF	ON	Media jamming has occurred in the cutter module. (Only when the optional cutter module is installed)
NO PAPER	OFF	ON	1. No media is left.
			2. The media is not loaded correctly.
HEAD ERROR	OFF	ON	There is a problem in the print head.
EXCESS HEAD TEMP	OFF	ON	The print head is too hot.
MEMORY WRITE ERR.	OFF	ON	An error has occurred during writing into the flash ROM.
FORMAT ERROR	OFF	ON	An error has occurred during initialization of the flash ROM.
MEMORY FULL	OFF	ON	Saving has failed due to the flash ROM having insufficient blank space.
SYNTAX ERROR	OFF	ON	An improper command such as a print command has been received while the firmware is being upgraded in the download mode.
SYSTEM ERROR	OFF	ON	When any abnormal operations as below are performed, a system error occurs. (a) Command fetch from an odd address. (b) Access to the word data from a place other than the boundary of the word data. (c) Access to the long word data from a place other than the boundary of the long word data. (d) Access to the area of 80000000H to FFFFFFFFH in the logic space in the user system mode. (e) Undefined command placed in other than the delay slot has been decoded. (f) Undefined command in the delay slot has been decoded. (g) Command to rewrite the delay slot has been decoded.

❑ BV420D

LED			Printer status
POWER	ONLINE	ERROR	
ON	ON	OFF	Normal - Online mode
ON	Blink	OFF	Normal - Online mode (communicating)
ON	OFF	OFF	1. The top cover is opened in the online mode.
			2. Printing is temporarily stopped (paused).

LED			Printer status
POWER	ONLINE	ERROR	
ON	OFF	ON	1. A communication error has occurred. (Only when the RS-232C is used)
			2-1. Media jamming has occurred.
			2-2. The media is not loaded correctly.
			2-3. The media sensors differing from the media to be used are selected.
			2-4. The black mark sensor is not correctly aligned to the black marks on the media.
			2-5. The size of the loaded media differs from that for the specified paper size.
			2-6. The media sensor level is not suitable for the actual media.
			2-7. The gap of the pre-printed label cannot be detected.
			3. Media jamming has occurred in the cutter unit.
			4. No media is left.
ON	OFF	ON	5. Printing or media feeding is attempted while the top cover is opened.
			6. There is a problem in the print head.
			7. The temperature of the print head has exceeded the upper limit.
			8. An error has occurred during writing into the flash ROM.
			9. An error has occurred during initialization of the flash ROM.
			10. Saving has failed due to the flash ROM having insufficient blank space.
			11. An improper command such as a print command has been received while the firmware is being upgraded in the download mode.
			12. When any abnormal operations as below are performed, a system error occurs.
			(a) Command fetch from an odd address.
			(b) Access to the word data from a place other than the boundary of the word data.
(c) Access to the long word data from a place other than the boundary of the long word data.			
(d) Access to the area of 80000000H to FFFFFFFFH in the logic space in the user system mode.			
(e) Undefined command placed in other than the delay slot has been decoded.			
(f) Undefined command in the delay slot has been decoded.			
(g) Command to rewrite the delay slot has been decoded.			

■ Removing jammed media

⚠ CAUTION

Do not use any tool that may damage the print head.

When media jamming occurs, please remove jammed media from the printer as following procedure.

- 1 Turn the power off.**
- 2 Open the top cover and remove the media roll.**
- 3 Remove the jammed media from the printer. DO NOT USE any sharp implements or tools as these could damage the printer.**
- 4 Clean the print head and platen, then remove any further dust or foreign substances.**
- 5 Load the media again, and close the top cover.**

15. Printer Specifications

This chapter describes the printer specifications.

Printer

The following table shows the printer specifications.

Item	BV410D-GS02-QM-S / BV420D-GS02-QM-S
Supply voltage	DC +24V, 2.5A (External AC adapter)
Power consumption	
During a print job	60 W
During standby	4.4 W (without options)
Operating temperature range	5°C to 40°C (41°F to 104°F)
Storage temperature range	-20°C to 60°C (-4°F to 140°F)
Relative humidity	25% to 85% RH (no condensation)
Humidity for storage	10% to 90% RH (no condensation)
Resolution	203 dpi (8-dot/mm)
Printing method	Direct thermal
Issue mode	Batch, Strip (option), Cut (option)
Printing speed	
In the batch/cut mode	50.8 mm/sec. (2"/sec.), 76.2 mm/sec. (3"/sec.), 101.6 mm/sec. (4"/sec.), 127 mm/sec. (5"/sec.), 152.4 mm/sec. (6"/sec.), 177.8 mm/sec. (7"/sec.)
In the strip mode	50.8 mm/sec. (2"/sec.), 76.2 mm/sec. (3"/sec.), 101.6 mm/sec. (4"/sec.)
Available media width (including backing paper)	25.4 mm (1.0") to 118 mm (4.6")
Effective print width (max.)	108.0 mm (4.25")
Dimension (W x D x H)	169 mm x 213 mm x 173 mm (6.66" x 8.39" x 6.81") (excluding projecting parts) 174 mm x 218 mm x 173 mm (6.85" x 8.59" x 6.81") (including projecting parts)
Weight	2.0 kg (4.4 lb)
Available barcode types	UPC-A, UPC-E, EAN8/13, UPC-A add on 2&5, UPC-E add 2&5, EAN-8/13 add on 2&5, Code39, Code93, Code128, EAN128, NW7, MSI, Industrial 2 of 5, ITF, POSTNET, RM4SCC, KIX-code, GS1 Databar, USPS Intelligent mail barcode
Available two-dimensional code	Data Matrix, PDF417, QR Code, Maxi Code, Micro PDF417, Micro QR, GS1 Data Matrix, Aztec Code
Available font	Bitmap: 21 types, Outline: 7 types, Writable characters: 132 types, Optional TTF: 20 types, Chinese-simp 24x24, OTF(CJK)
Rotations	0°, 90°, 180°, 270°
Standard interface	USB 2.0 Hi-speed Ethernet interface (10BASE-T, 100BASE-TX)
Option interface	Serial interface (RS-232C) Wireless LAN interface (IEEE802.11a/b/g/n) Bluetooth interface (Ver.2.1+EDR)

Note

- Data Matrix™ is a trademark of International Data Matrix Inc., U.S.
- PDF417™ is a trademark of Symbol Technologies Inc., US.
- QR Code is a trademark of DENSO CORPORATION.
- Maxi Code is a trademark of United Parcel Service of America, Inc., U.S.
- Bluetooth® is a registered trademark owned by Bluetooth SIG, Inc.

Item	BV410D-TS02-QM-S / BV420D-TS02-QM-S	
Supply voltage	DC +24V, 2.5A (External AC adapter)	
Power consumption		
	During a print job	60 W
	During standby	4.4 W (without options)
Operating temperature range	5°C to 40°C (41°F to 104°F)	
Storage temperature range	-20°C to 60°C (-4°F to 140°F)	
Relative humidity	25% to 85% RH (no condensation)	
Humidity for storage	10% to 90% RH (no condensation)	
Resolution	300 dpi (11.8-dot/mm)	
Printing method	Direct thermal	
Issue mode	Batch, Strip (option), Cut (option)	
Printing speed		
	In the batch/cut mode	50.8 mm/sec. (2"/sec.), 76.2 mm/sec. (3"/sec.), 101.6 mm/sec. (4"/sec.) 127 mm/sec. (5"/sec.)
	In the strip mode	50.8 mm/sec. (2"/sec.), 76.2 mm/sec. (3"/sec.), 101.6 mm/sec. (4"/sec.)
Available media width (including backing paper)	25.4 mm (1.0") to 118 mm (4.6")	
Effective print width (max.)	105.7 mm (4.16")	
Dimension (W x D x H)	169 mm x 213 mm x 173 mm (6.66" x 8.39" x 6.81") (excluding projecting parts) 174 mm x 218 mm x 173 mm (6.85" x 8.59" x 6.81") (including projecting parts)	
Weight	2.0 kg (4.4 lb)	
Available barcode types	UPC-A, UPC-E, EAN8/13, UPC-A add on 2&5, UPC-E add 2&5, EAN-8/13 add on 2&5, Code39, Code93, Code128, EAN128, NW7, MSI, Industrial 2 of 5, ITF, POSTNET, RM4SCC, KIX-code, GS1 Databar, USPS Intelligent mail barcode	
Available two-dimensional code	Data Matrix, PDF417, QR Code, Maxi Code, Micro PDF417, Micro QR, GS1 Data Matrix, Aztec Code	
Available font	Bitmap: 21 types, Outline: 7 types, Writable characters: 132 types, Optional TTF: 20 types, Chinese-simp 24x24, OTF(CJK)	
Rotations	0°, 90°, 180°, 270°	
Standard interface	USB 2.0 Hi-speed Ethernet interface (10BASE-T, 100BASE-TX)	
Option interface	Serial interface (RS-232C) Wireless LAN interface (IEEE802.11a/b/g/n) Bluetooth interface (Ver.2.1+EDR)	

Note

- Data Matrix™ is a trademark of International Data Matrix Inc., U.S.
- PDF417™ is a trademark of Symbol Technologies Inc., US.
- QR Code is a trademark of DENSO CORPORATION.
- Maxi Code is a trademark of United Parcel Service of America, Inc., U.S.
- Bluetooth® is a registered trademark owned by Bluetooth SIG, Inc.

Options

Note

The following options are available from your nearest Toshiba Tec Corporation representative or Toshiba Tec Corporation Head Quarters.

<BV410D>

Option Name	Type	Description
Cutter module (White)	BV214-F-QM-S	A cutter module that fully cuts (separates) the printed media.
	BV214-P-QM-S	A cutter module that partial cuts (dose not fully separate) the printed media.
Peel-off module (White)	BV914-H-QM-S	This module enables the printer to strip the backing paper from the print labels and present the striped labels on-demand (one by one) by detecting the presence or removal of a label from the peel bar.
External media stand	BV904-PH-QM-S	When this option is attached to the printer, a media with an outer roll diameter up to 214 mm (8.4") and inner core diameter of 76.2 mm (3") can be used.
Wireless LAN interface kit	BV700-WLAN-QM-S	This interface kit enables wireless LAN (WLAN) communication.
Bluetooth interface kit	BV700-BLTH-QM-S	This interface kit enables Bluetooth communication.
Serial (RS-232C) I/F board	BV700-RS-QM-S	This interface kit enables Serial (RS-232C) communication.
AC adapter cover (White)	BV914-ACD-QM-S	Attached to the printer bottom for housing the AC adapter

<BV420D>

Option Name	Type	Description
Cutter module (Black)	BV224-F-QM-S	A cutter module that fully cuts (separates) the printed media.
	BV224-P-QM-S	A cutter module that partial cuts (dose not fully separate) the printed media.
Peel-off module (Black)	BV924-H-QM-S	This module enables the printer to strip the backing paper from the print labels and present the striped labels on-demand (one by one) by detecting the presence or removal of a label from the peel bar.
External media stand	BV904-PH-QM-S	When this option is attached to the printer, a media with an outer roll diameter up to 214 mm (8.4") and inner core diameter of 76.2 mm (3") can be used.
Wireless LAN interface kit	BV700-WLAN-QM-S	This interface kit enables wireless LAN (WLAN) communication.
Bluetooth interface kit	BV700-BLTH-QM-S	This interface kit enables Bluetooth communication.
Serial (RS-232C) I/F board	BV700-RS-QM-S	This interface kit enables Serial (RS-232C) communication.
AC adapter cover (Black)	BV924-ACD-QM-S	Attached to the printer bottom for housing the AC adapter

16. Media Specifications

This chapter describes the media specifications.

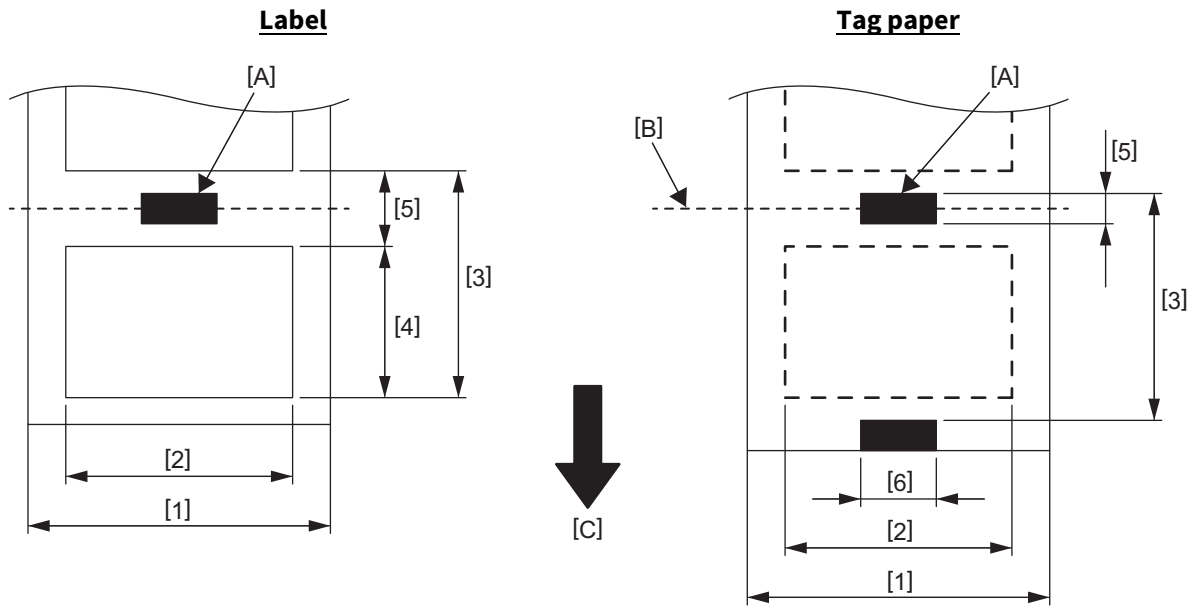
■ Media

Make sure that the media to be used is approved by Toshiba Tec Corporation. The warranties do not apply to problems caused by using media that is not approved by Toshiba Tec Corporation.

For information regarding Toshiba Tec Corporation-approved media, contact your Toshiba Tec authorized representative.

□ Media type

The table below shows the size and shape of the media that can be used on this printer.



[A]: Black Mark (on the back side)

[B]: Cut position

[C]: Feed direction

Unit: mm (inch)

Item	Issue mode	Batch mode	Batch mode (Tear-off)	Strip mode	Cut mode
[1] Media width (Including the backing paper)		25.4 to 118.0 (1.00 to 4.64)			
[2] Label width		22.4 to 115.0 (0.88 to 4.52)			
[3] Media pitch	Label	10 to 999 (0.39 to 39.3)		25.4 to 152.4 (1.0 to 6.0)	25.4 to 999 (1.0 to 39.3)
	Tag	10 to 999 (0.39 to 39.3)		-----	25.4 to 999 (1.0 to 39.3)
[4] Label length		8 to 997 (0.32 to 39.2)		23.4 to 150.4 (0.92 to 5.92)	19.4 to 993 (0.76 to 39.1)
[5] Gap/black mark length		2.0 to 10.0 (0.08 to 0.39)			6.0 to 10.0 (0.24 to 0.39)
[6] Black mark width		Min. 8.0 (0.32)			
Thickness		0.06 to 0.19 (0.0024 to 0.0074)			
Max. outer roll diameter		Ø127 (5.0) Ø214 (8.4): When the optional External media stand is used			
Roll direction		Outside (standard), Inside (See Note 3.)			
Inner core diameter		25.4, 38.1, 42 or 76.2 (1.0, 1.5, 1.65 or 3.0) (See Note 2 and 3.)			

Note

1. To ensure print quality and print head life, use only Toshiba Tec Corporation approved media.
2. When using a media roll with 76.2 mm (3") inner core diameter, the optional External media stand is required.
3. When you use inside wound Label, a media roll with 76.2 mm (3") inner core diameter and the optional External media stand are required.

Barcode Printer

Owner's Manual

BV410D-GS02-QM-S

BV410D-TS02-QM-S

BV420D-GS02-QM-S

BV420D-TS02-QM-S

Toshiba Tec Corporation

1-11-1, OSAKI, SHINAGAWA-KU, TOKYO, 141-8562, JAPAN

© 2020-2021 Toshiba Tec Corporation All rights reserved



PRINTED IN INDONESIA

EO0133138

Ver03